

Pollrich GmbH – Company presentation

August 2017



Content

1. FACTS
2. FANS
3. SERVICE
4. QUALITY
5. CONTACTS



Welcome to POLLRICH GmbH

Part of the new german ROTAMILL-Group

**The new No. 1 in the German market of
Heavy Duty Centrifugal Fans makers**

We like to take the opportunity to present the main news about how we will bring fresh air in the market of heavy duty industrial process fans.

1.1 Overview

- **POLLRICH** is a world wide leading supplier of heavy industrial fans – and market leader in Germany
- Bundled know-how: more than 110 years of experience of **POLLRICH** meets the industrial fan know-how of ROTAMILL
- Completely radial: **POLLRICH** concentrates on radial fans
- Unique feature: **Pollrich** offers an exceptional systems expertise in plant construction and operation based on thousands of successful installation.



1.2 History

1906 Foundation of **Pollrich Ventilatoren GmbH**, the german pioneer in centrifugal fans

1954 Foundation of **Rotamill** as an engineering office for sulphur-grinding mills

1974 Change of the corporate name to **Rotamill Apparate-, Anlagen- und Ventilatorenbau GmbH**

1991 Majority takeover of Schirm Wärmetechnik GmbH,

2001 Transfer and integration of the fan program of the former company **Spelleken**

2003 Transfer and integration of the fan program of the former company **Rothe-Mühle**

2008 Takeover of Rotamill by Mr. Frank-Martin Bub and the VIGOR Holding GmbH

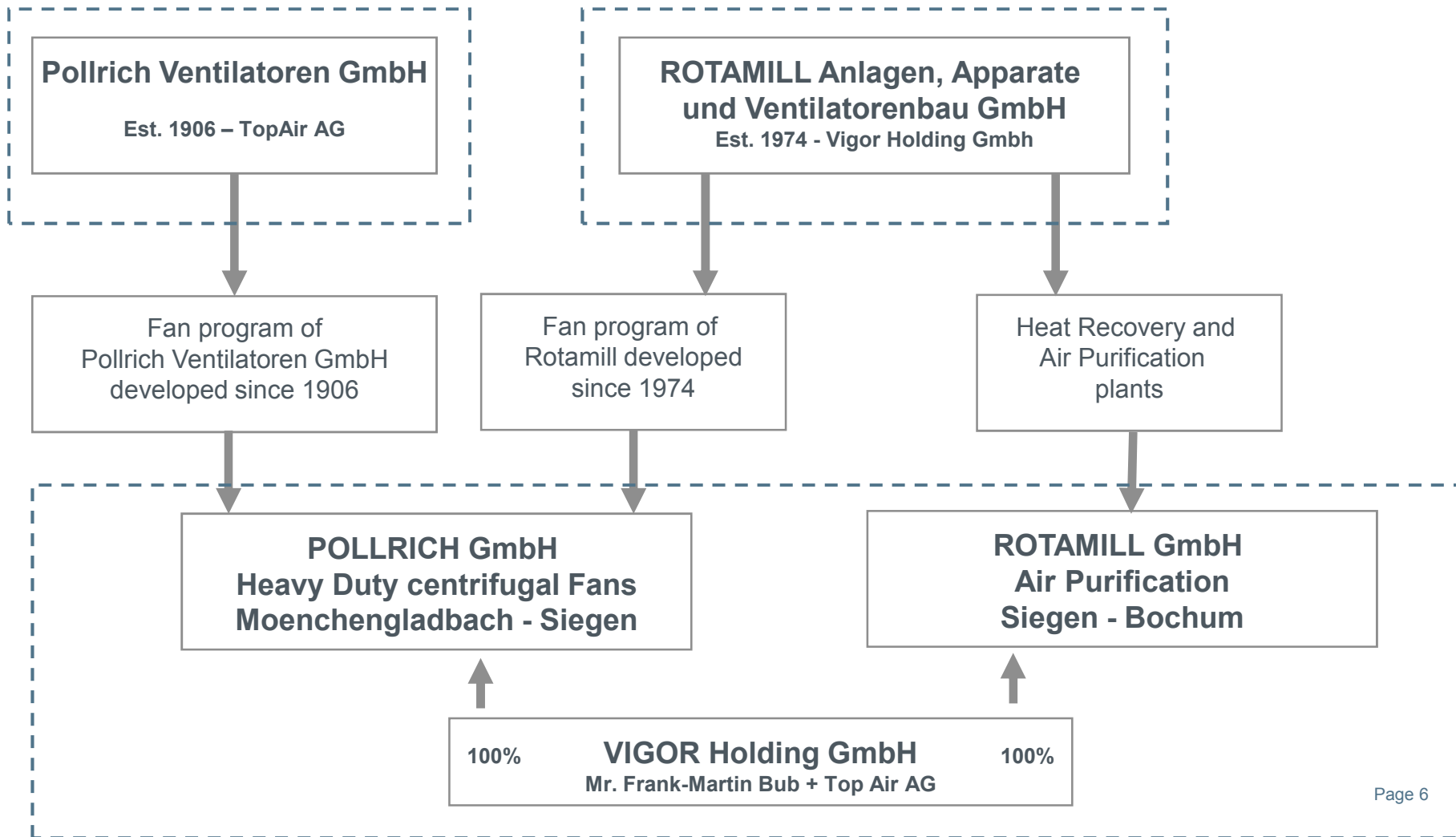
2009 Takeover of the Pollrich Management and Service-Team by Rotamill

2016 Reorganization of the ROTAMILL GROUP into the subsidiary companies

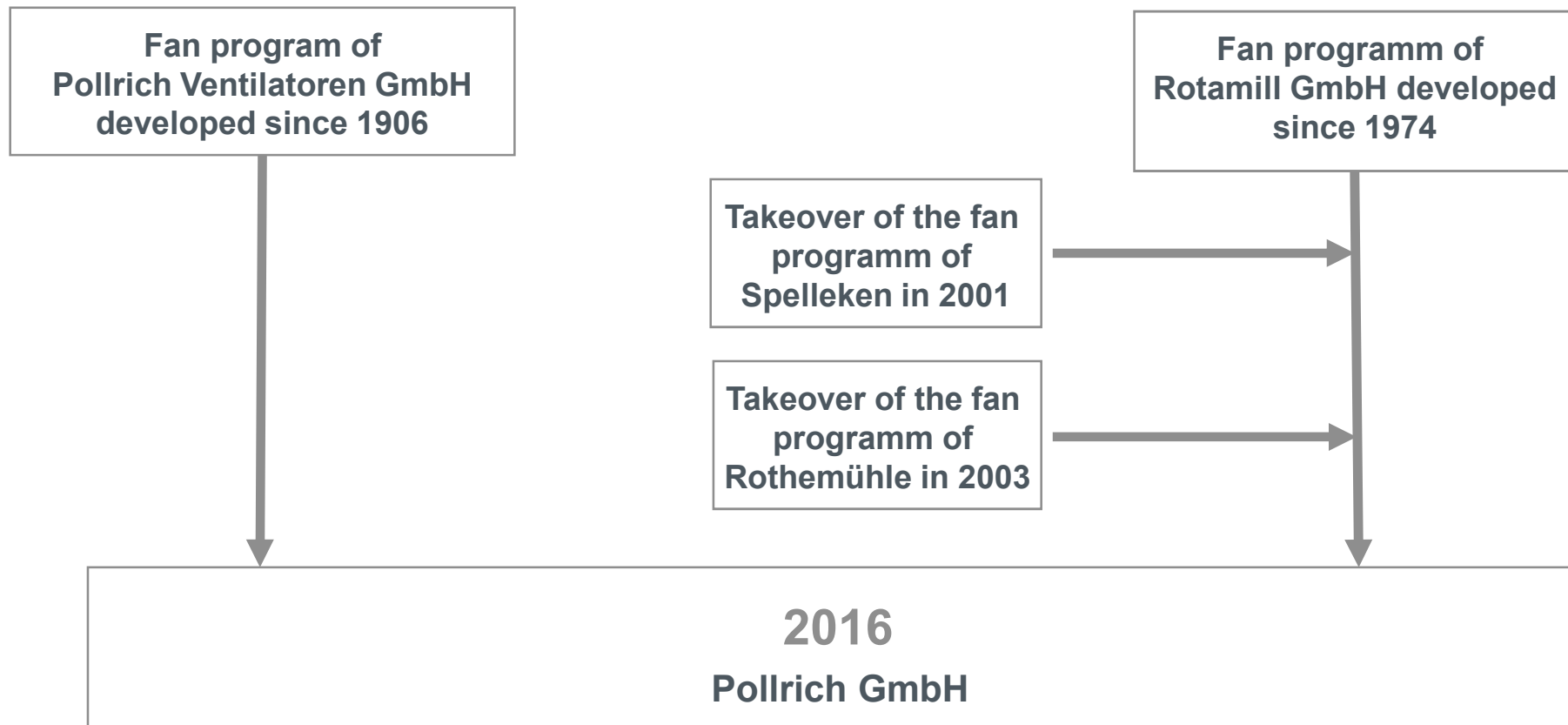
POLLRICH GmbH and **ROTAMILL GmbH**,

by Pollrich GmbH bundling the fan lines of

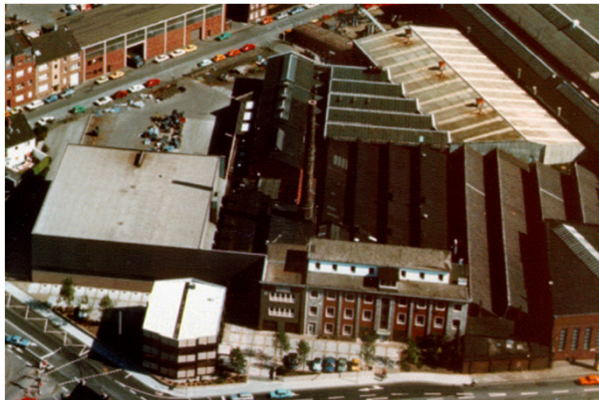
Spelleken, Rothe-Mühle and Pollrich under the new name **POLLRICH GmbH**



1.3



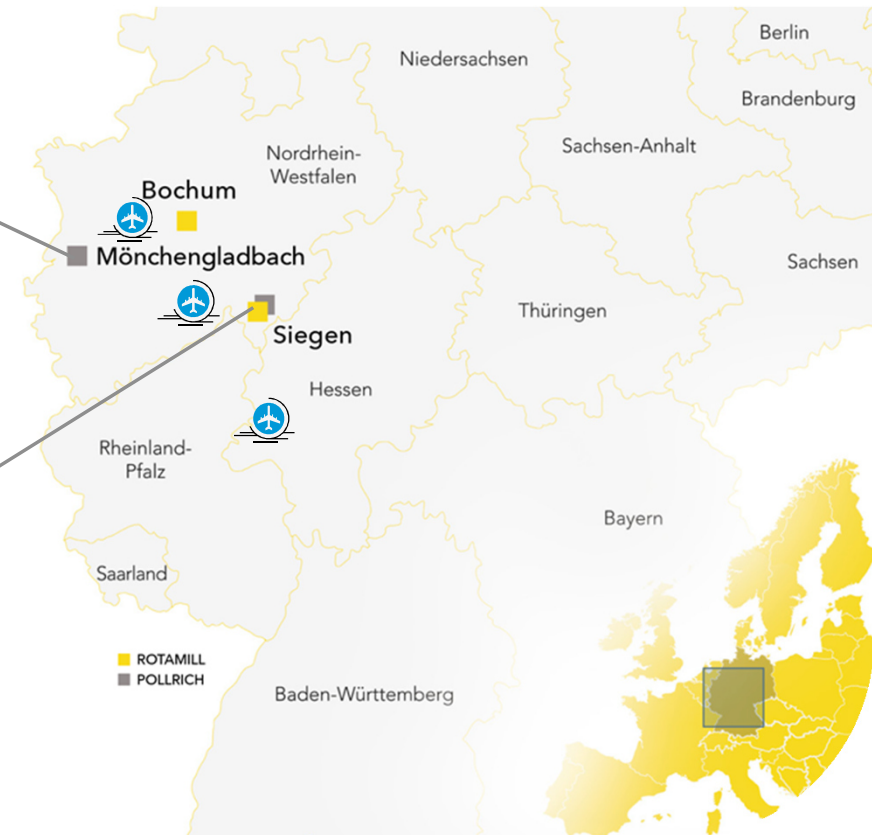
1.4 Locations



Mönchengladbach, 100 employees
Engineering, Sales, Production, Service



Siegen – Eiserfeld, 85 employees
Head-quarter, Engineering, Production



1.3 Our main targets

- **Cement industry**
- **Petrochemical industry**
- **Nonwoven processing**
- **Food industry**
- **Paper industry**
- **Wood processing**
- **Power plants**
- **Steel industry**
- **Waste incineration**
- **Dryer technology**
- **and many others**



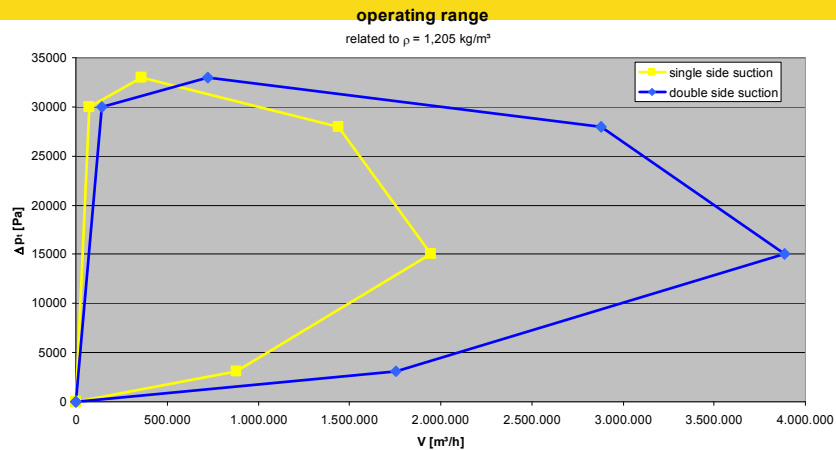
Plug-in fans for paper industry

- we are the specialits for :
- Flue gas / exhaust air
 - corrosive / abrasive gas
-
- Pressure resistant fans
 - Stainless steel fans
 - Ex-proof fans acc. ATEX
 - Wear protected fans
 - GRP-Coated fans
 - API-Petrochemical

1.4 Know-How



Ex-proofed fans acc. ATEX



1.5 Technical data

Volume flow:

from 110 m³/h
 up to 1,900,000 m³/h (single side suction)
 up to 3,800,000 m³/h (double side suction)

Pressure rise:

up to 330 mbar (single stage)
 up to 560 mbar (double stage)

Impeller diameter:

from 216 mm
up to 4,000 mm

Tip speed:

up to 280m/s

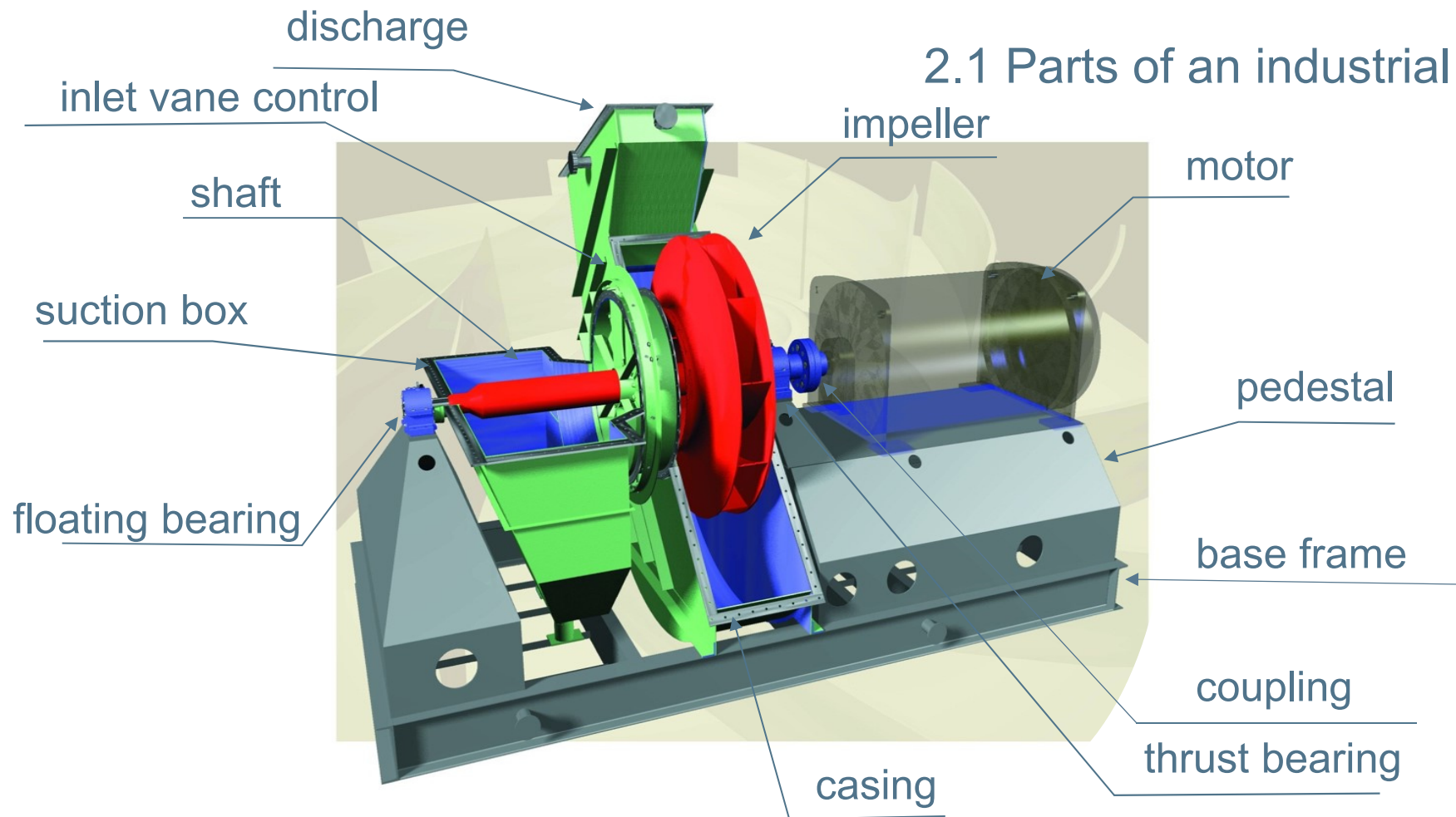
Temperature:

from -39°C exceeding 650°C

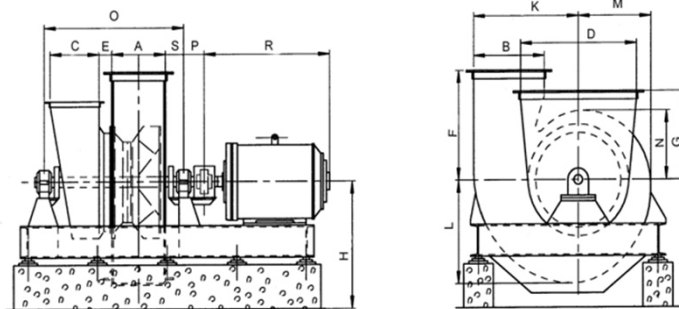
Drive power:

from 0,37 kW to 6,000 kW

2.1 Parts of an industrial fan



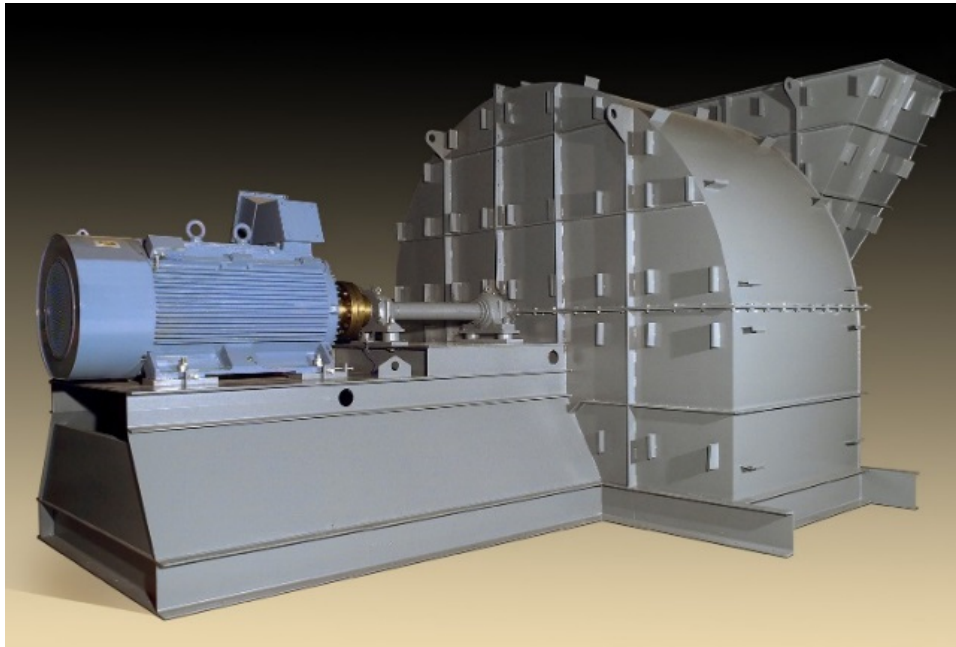
2.2 Heavy industrial fans



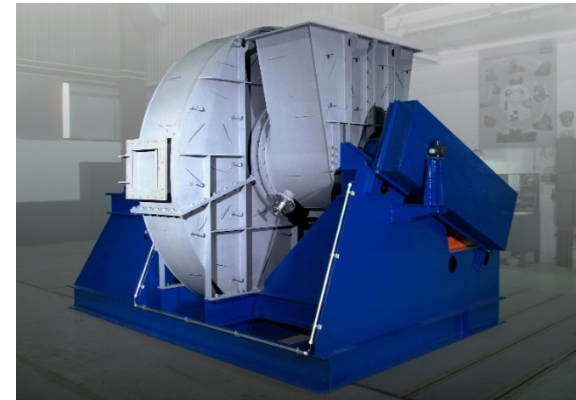
- Double inlet fans – special design



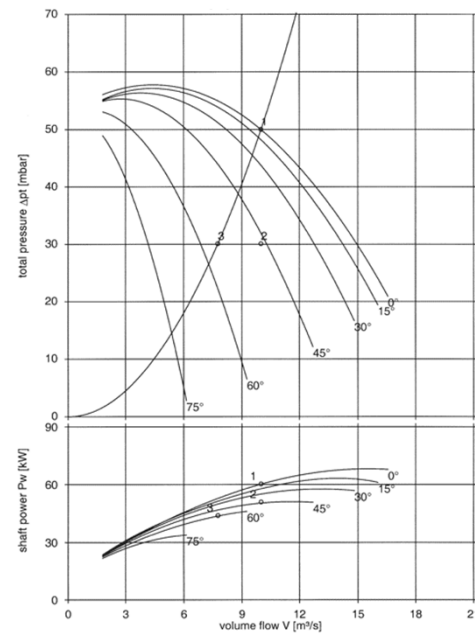
2. FANS



- Fans with suction box
- Coupling and belt driven
- With base frame or for mounting on a concrete foundation
- Different casing positions possible



2.3 Inlet vane control



- Mechanical control of the air flow
- Can be combined with a frequency inverter

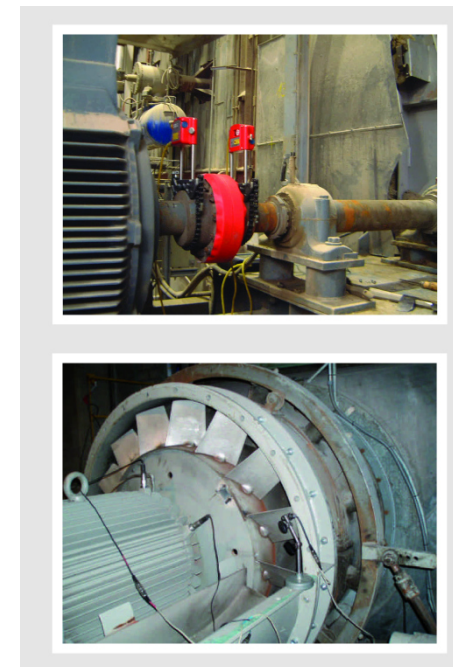


3.1 From commissioning to continuous maintenance and repairs

*We attend and support you –
and keep your plant running...*

Business activities Service:

- preventive maintenance of all process fans of all brands
- Analysis of bearing frequencies and report for expected life-time
- Dynamic balancing on site with modern mobile equipment
- Laser alignment of couplings / gears and pulleys
- Revisions / modifications / repairs / upgrades
- Check of impeller for material fatigue
- Re-vamping of existing plants incl. spare-parts
- Site measuring of impeller / shaft for re-placement
- Special component advise at site for all questions around the fan



4.1 Standards and documents

Certified quality standards

- Qualitymanagement in accordance with DIN EN ISO 9001
- Operating license according to AD 2000 HP 0
- Welding certification in accordance with DIN EN 1090

Extensive documents

- Declaration of incorporation acc. to machinery directive 2006
- Operation and maintenance manual
- Factory certificates for materials
- shaft alignment report
- surface treatment report
- Welder's certificate



Managing director

Dipl.-Kfm. Frank-Martin Bub
Tel: +49-271-66123-233
Fax: +49-271-66123-258
Mobil: +49-172-7288195
Mail: FM.Bub@pollrich.com



5.1 Management

Managing director fans

Dipl.-Kfm. Axel Jahn
Tel: +49-2161-968-112
Fax: +49-2161-968-301
Mobil: +49-151-150578-15
Mail: A.Jahn@pollrich.com



Technical managing director

Dipl.-Ing. Christian Pohl
Tel: +49-2161-968-132
Fax: +49-2161-968-309
Mobil: +49-151-150578-12
Mail: C.Pohl@pollrich.com

5.2 Sales



Dipl.-Ing. Karsten Döll
 Tel: +49-271-66123-641
 Fax: +49-2131-40238-119
 Mobil: +49-151-150578-11
 Mail: k.doell@pollrich.com



Stephan Faßbender
 Tel: +49-2131-40238-117
 Fax: +49-2131-40238-119
 Mobil: +49-151-150578-18
 Mail: s.fassbender@pollrich.com



Dipl.-Ing. Rainer Freese
 Tel: +49-2161-968-157
 Fax: +49-2161-968-304
 Mobil: +49-151-108394-14
 Mail: r.freese@pollrich.com



Dipl.-Ing. Vanessa Neuhann
 Tel: +49-2131-40238-115
 Fax: +49-2131-40238-119
 Mail: v.neuhann@pollrich.com



Dipl.-Ing. Gabriela Kranz
 Tel: +49-2131-40238-113
 Fax: +49-2131-40238-119
 Mail: g.kranz@pollrich.com



M.Sc. Frauke Hüpperling
 Tel: +49-2161-968-210
 Fax: +49-2161-968-304
 Mail: f.huepperling@pollrich.com



Dipl.-Ing. Rainer Hartschen
 Tel: +49-2161-968-154
 Fax: +49-2161-968-304
 Mail: r.hartschen@pollrich.com



Head of service:
 Frank Sprengers
 Tel: +49-2161-968-184
 Fax: +49-2161-968-307
 Mobile: +49-172-8081421
 Mail: f.sprengers@pollrich.com

International partners

→ Air Vision Belgium – Louven	Sales partner
→ Pollrich-Espana – Barcelona	Sales office
→ HPB-Ventiladores Ltd. – Sao Paulo	Licencee + services + manufacturing
→ JBJ – USA	Sales agent
→ Instanbulmetalurji – Istanbul	Sales partner
→ Sursys – Polska	Sales partner + manufacturing
→ rkb – India	Sales partner
→ NANTONG-Dart-Pollrich – China	Joint Venture
→ PollrichDik Middle East DMCC – Dubai	Sales partner
→ SALVTECH – England	Sales partner + services

Anything we can
do for you ?

POLLRICH GmbH
Member of ROTAMILL
GROUP

Eisenhüttenstraße 26
D-57074 Siegen

Tel. +49-271-66123-0
Fax +49-271-61866

www.pollrich.com