

CAM



High pressure, single inlet, centrifugal fans with sheet steel casing and cast aluminium impeller.



- Fan:**
- Sheet steel casing.
 - Cast aluminium and sheet steel impellers in models 752, 880 and 980.
- Motor:**
- IE3 efficiency motors for powers equal to or greater than 0.75 kW except single-phase, 2-speed and 8-pole.
 - Class F motors with ball bearings and IP55 protection.
 - Three-phase 230/400 V - 50 Hz (up to 4 kW) and 400/690 V - 50 Hz (powers higher than 4 kW).
 - Maximum temperature of air to be carried: -20 °C +120 °C.

- Finish:**
- Anti-corrosive finish of polyester resin polymerised at 190 °C, previously degreased with phosphate-free nanotechnological treatment.

- On request:**
- Special windings for different voltages.
 - Fan prepared for air transmission of up to 250 °C.
 - Stainless steel fan.
 - ATEX-certified Category 2.



Extremely robust, high performance impellers

Order code

CAM — 752 — 2T — 10

CAM: High pressure, single inlet, centrifugal fans with sheet steel casing and cast aluminium impeller

Impeller size

Number of motor poles
2=2900 r/min 50 Hz

T=Three-phase

Motor power (HP)

Technical characteristics

Model	Speed (r/min)	Maximum admissible current (A)			Installed power (kW)	Maximum flow rate (m³/h)	Sound pressure level dB(A)	Approx. weight (kg)	According to ErP
		230 V	400 V	690 V					
CAM-540-2T IE3	2875	5.34	3.07	1.50	2430	85	42	2015	
CAM-545-2T-3 IE3	2910	7.32	4.21	2.20	2300	86	59	2015	
CAM-545-2T-4 IE3	2910	10.00	5.77	3.00	3610	88	68	2015	
CAM-550-2T-5.5 IE3	2900	13.00	7.50	4.00	2800	90	122	2015	
CAM-550-2T-7.5 IE3	2930	10.10	5.86	5.50	5000	91	152	2015	
CAM-752-2T-7.5 IE3	2930	10.10	5.86	5.50	2950	93	161	2015	
CAM-752-2T-10 IE3	2930	14.10	8.17	7.50	5000	94	139	2015	
CAM-760-2T-10 IE3	2930	14.10	8.17	7.50	2900	95	164	2015	
CAM-760-2T-15 IE3	2945	20.00	11.60	11.00	5000	97	228	2015	
CAM-760-2T-15/E IE3	2945	20.00	11.60	11.00	6380	98	226	2015	
CAM-880-2T-40 IE3	2960	54.50	31.60	30.00	10000	99	420	2015	
CAM-980-2T-60 IE3	2960	77.50	44.90	45.00	11390	92	580	Excluded	



Erp. (Energy Related Products)

Information on Directive 2009/125/EC can be downloaded from the SODECA website or the QuickFan selector programme.

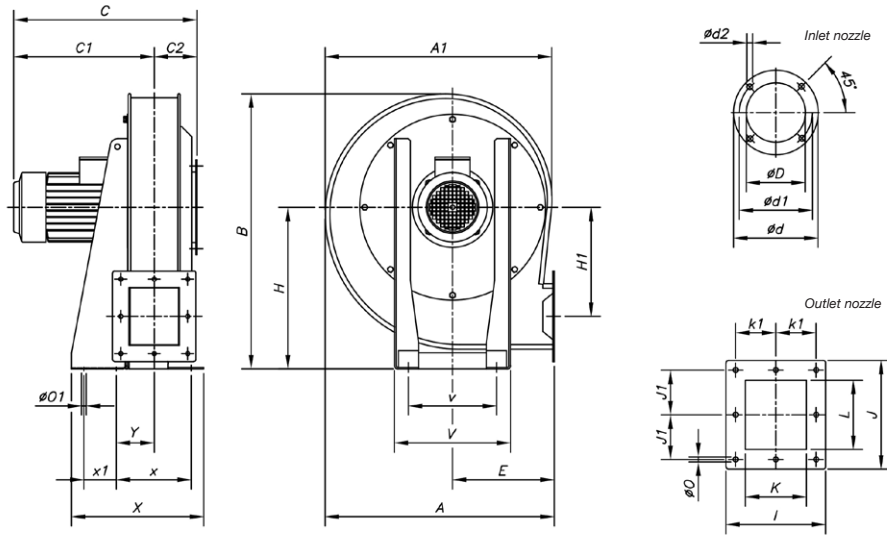
Acoustic characteristics

Sound power spectrum Lw(A) in dB(A) per Hz frequency band

	63 125 250 500 1000 2000 4000 8000								63 125 250 500 1000 2000 4000 8000								
	63	125	250	500	1000	2000	4000	8000	63	125	250	500	1000	2000	4000	8000	
540	57	70	81	90	97	91	86	78	752-10	67	81	92	101	108	102	96	89
545-3	58	71	82	91	98	92	87	79	760-10	70	83	95	103	110	105	99	91
545-4	60	73	84	93	100	94	89	81	760-15	72	85	97	105	112	107	101	93
550-5.5	63	77	88	97	104	98	92	85	760-15/E	73	86	98	106	113	108	102	94
550-7.5	64	78	89	98	105	99	93	86	880	75	89	100	109	116	110	104	97
752-7.5	66	80	91	100	107	101	95	88	980	86	88	96	100	107	104	99	91

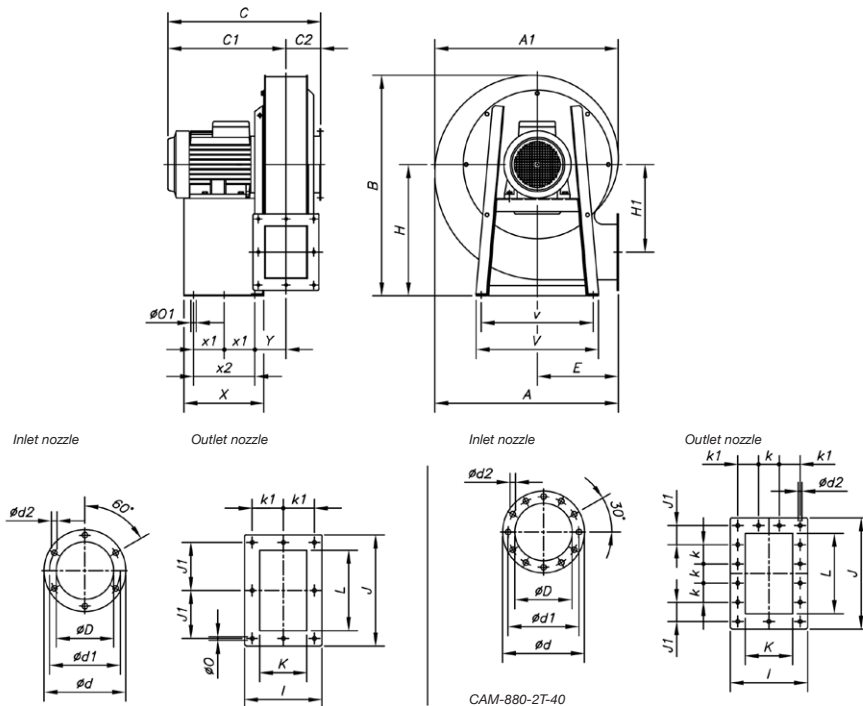
Dimensions mm

CAM-540...545



	A	A1	B	C	C1	C2	øD	ød	ød1	ød2	E	H	H1	I	J	J1	K	k1	L	øO	øO1	V	v	X	x	x1	Y
CAM-540-2T	568	562	681	454	348	106	170	235	205	11	252	400	270	206	224	92	120	83	140	10	12	288	218	328	186	80	94
CAM-545-2T-3	654	644	772	474	355.5	118.5	165	235	205	11	290	450	310	222	255	108	135	90	170	10	12	300	238	344	202	80	102.5
CAM-545-2T-4	654	644	772	504	385.5	115.5	165	235	205	11	290	450	310	222	255	108	135	90	170	10	12	300	238	344	202	80	102.5

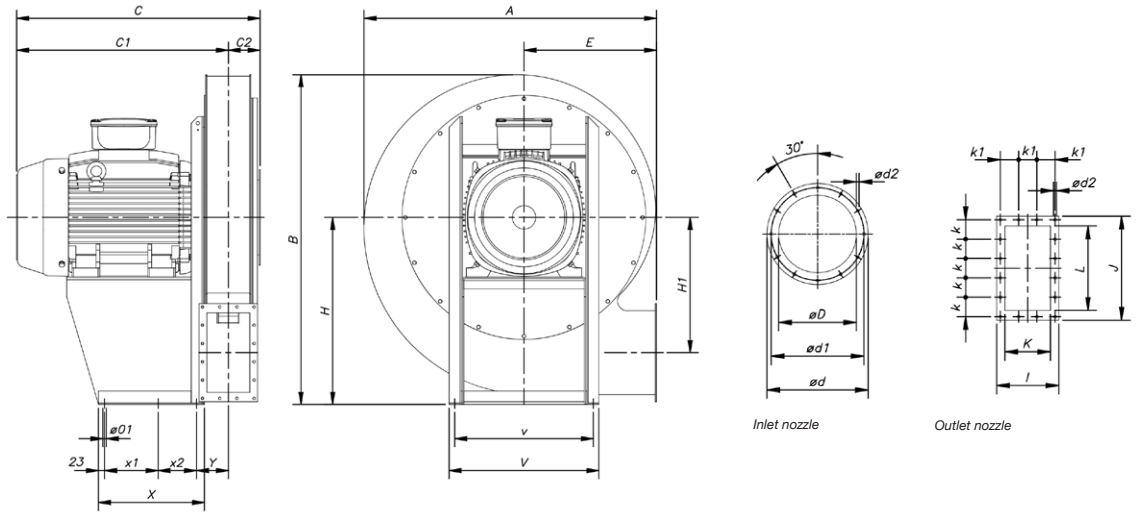
CAM-550...880



	A	A1	B	C	C1	C2	øD	ød	ød1	ød2	E	H	H1	I	J	J1	K	k	k1	L	øO	øO1	V	v	X	x1	x2	Y
CAM-550-2T-5.5	719	715	868	552	416	136	210	278	258	9	311	510	350	246	296	128	150	-	103	200	11	13	475	435	279	210	210	115.5
CAM-550-2T-7.5	719	715	868	590	454	136	210	278	258	9	311	510	350	246	296	128	150	-	103	200	11	13	475	435	310	210	210	115.5
CAM-752-2T-7.5	713	713	856	594	459	135	217	278	258	9	315	510	340	256	296	128	160	-	108	200	11	13	475	435	390	210	210	121
CAM-752-2T-10	713	713	856	594	459	135	217	278	258	9	315	510	340	256	296	128	160	-	108	200	11	13	475	435	390	210	210	121
CAM-760-2T-10	837.5	833.5	975	616	462	147	212	322	280	9.5	370	570	380	276	316	138	180	-	118	220	11	13	570	525	450	202.5	405	74.5
CAM-760-2T-15	837.5	833.5	975	736	589.5	147	212	322	280	9.5	370	570	380	276	316	138	180	-	118	220	11	13	570	525	450	202.5	405	74.5
CAM-760-2T-15/E	837.5	833.5	975	736	589.5	147	212	322	280	9.5	370	570	380	276	316	138	180	-	118	220	11	13	570	525	450	202.5	405	74.5
CAM-880-2T-40	945	939	1167	905	771	134	290	390	355	10	422	710	430	249	360	61	190	71	76	290	11	13	565	523	480	210	420	133

Dimensions mm

CAM-980



	A	B	C	C1	C2	øD	ød	ød1	ød2	E	H	H1	I	J	K	k	k1	L	Ø01	V	v	X	x1	x2	Y	x1	Y
CAM-980-2T-60	1104	1243	918.5	798.5	120	276	360	330	10	500	705	510	221	370	162	69	65	300	13	565	523	400	202	145	120	202	120

Orientation

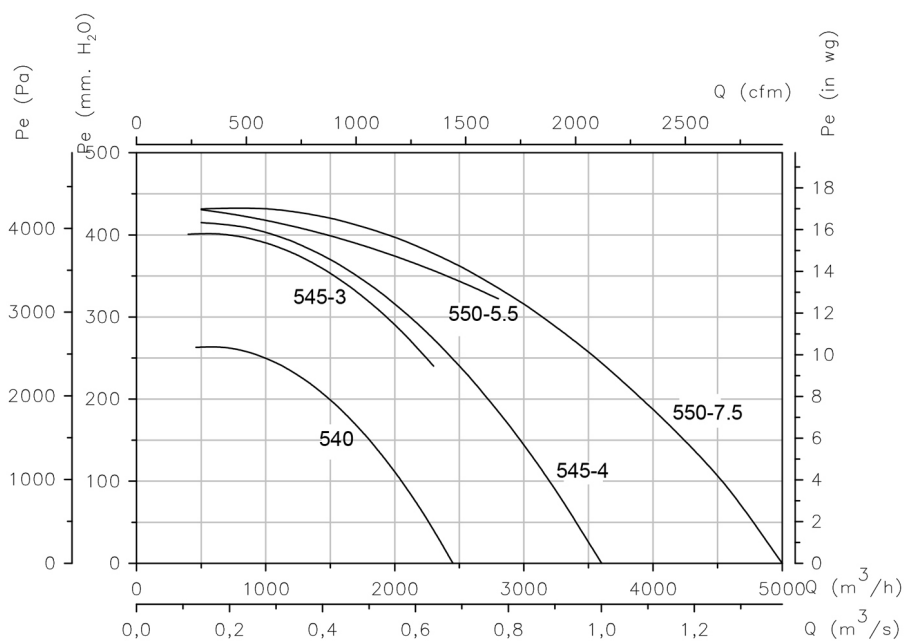
Standard supply LG 270
 LG 180 positions on request and with special anchoring measurements.



Characteristic curves

Q= Flow rate in m³/h, m³/s and cfm

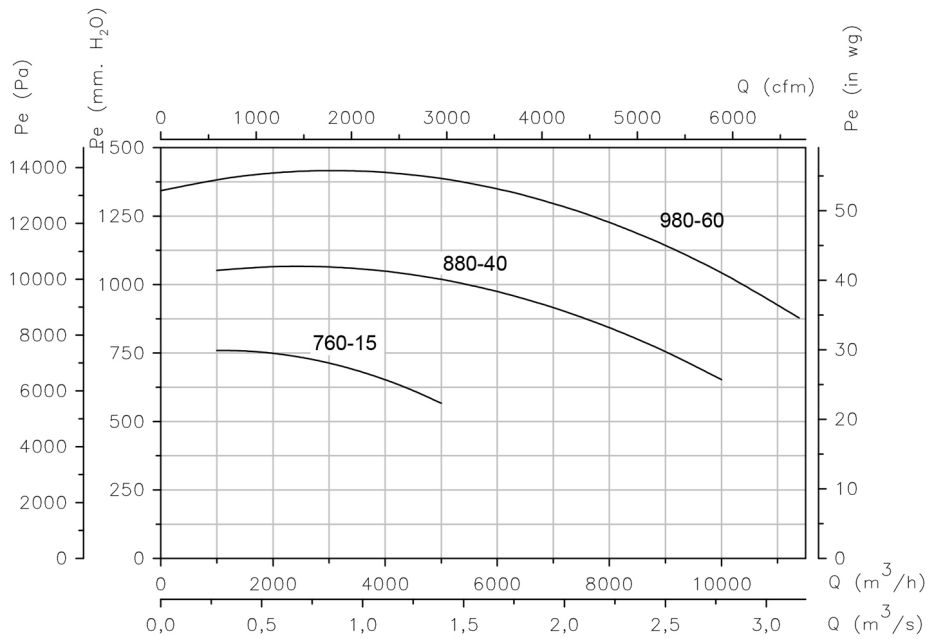
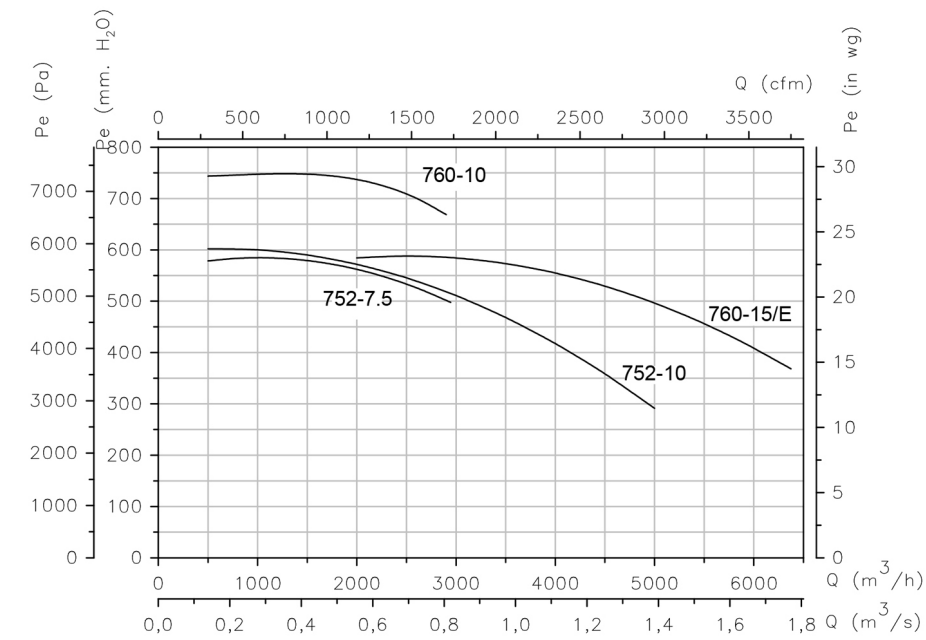
Pe= Static pressure in mm H₂O, Pa and inwg



Characteristic curves

Q= Flow rate in m³/h, m³/s and cfm

Pe= Static pressure in mm H₂O, Pa and inwg



Accessories

See accessories section.

