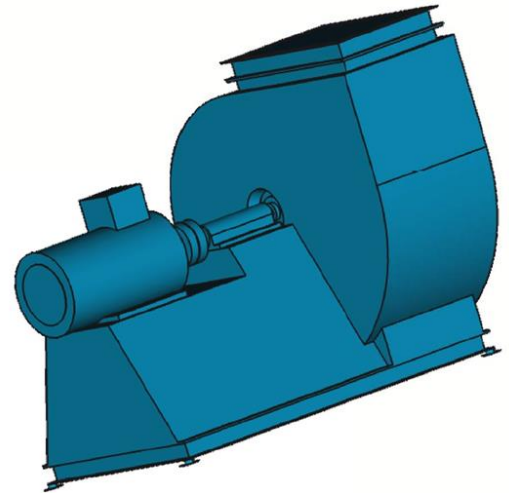




Before sending you our seasons' greetings, we would like to share this good news with you.

2D and 3D drawings quickly available !

It is with a certain satisfaction that we can announce having the possibility to send, for the range of Acovent fans, 2D and 3D drawings as from the first commercial requests. These preliminary drawings will allow you to better prepare your own engineering and to verify the implementation correctly without wasting time.



In the meantime, our team is at your disposal for any request and wishes you all the best in this last straight line towards the end of 2018.

Best regards,

Team AirVision

Contact us for more information



FANS FOR
INDUSTRIAL
PROCESSES



FANS FOR
GENERAL
VENTILATION



INDUSTRIAL
DAMPERS



ACOUSTIC
SOLUTION FOR
FANS



MAINTENANCE &
AFTER-SALE
SERVICE

You would like more information or do you have a project?
Do not hesitate to contact us. The team of AirVision is here for you.

[Contact us »](#)

Avenue Jean Monet, 1 - Louvain-La-Neuve 1348 - Belgium - T.: +32(0) 10 47 00 80 - info@airvision.be - www.airvision.be

[>> Click here to unsubscribe](#)