

CA



Single inlet, high pressure centrifugal fans with cast aluminum casing and impeller



Fan:

- Cast aluminium casing.
- Cast aluminium impeller.
- Maximum temperature of air to be carried: -25 °C +120 °C.

Finish:

- Anti-corrosive finish in polyester resin, polymerised at 190 °C, after degreasing with phosphate-free nanotechnology treatment.

Motor:

- Motors with IE3 efficiency for powers equal to or greater than 0.75 kW, except single-phase, 2-speed and 8-pole.
- Class F motors with ball bearings and IP55 protection.
- Three-phase 230/400 V 50 Hz (up to 4 kW) and 400/690 V 50 Hz (powers greater than 4 kW).
- Working temperature: -25 °C +50 °C.

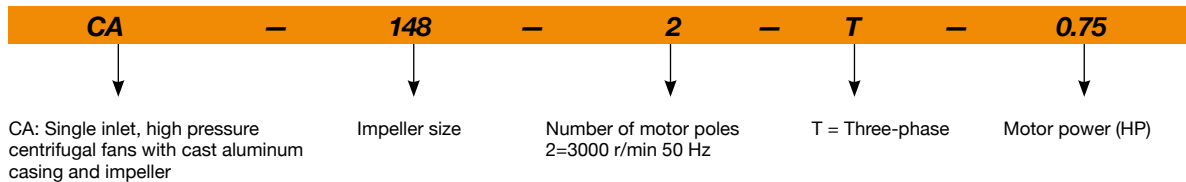
On request:

- Special windings for different voltages.
- Fan prepared to transport air up to +250 °C.
- ATEX certified Category 2.



Extremely thick aluminium construction to absorb noise and vibrations

Order code



Technical characteristics

Model	Speed (r/min)	Maximum admissible current (A)			Installed power (kW)	Maximum flow rate (m³/h)	Sound pressure level ¹ dB (A)		Approx. weight (Kg)
		230V	400V	690V			Inlet		
CA-234-2T	2710	1.56	0.90		0.37	220	62	10	
CA-142-2T-0.33	2710	1.29	0.75		0.25	275	63	23	
CA-142-2T-0.5	2810	1.56	0.90		0.37	350	63	23	
CA-148-2T-0.75	2760	2.57	1.49		0.55	400	67	28	
CA-148-2T-1 IE3	2840	2.80	1.62		0.75	490	68	35	
CA-148-2T-1.5 IE3	2850	4.03	2.34		1.10	610	69	33	
CA-154-2T-2 IE3	2860	5.34	3.07		1.50	800	72	52	
CA-154-2T-3 IE3	2875	7.32	4.21		2.20	1280	73	55	
CA-160-2T-3 IE3	2860	7.32	4.21		2.20	900	79	63	
CA-166-2T-4 IE3	2870	10.00	5.77		3.00	950	80	77	
CA-166-2T-5.5 IE3	2860	13.00	7.50		4.00	1600	81	85	
CA-172-2T-7.5 IE3	2880		10.10	5.86	5.50	1710	84	135	
CA-172-2T-10 IE3	2930		14.10	8.17	7.50	2300	85	120	

1. The noise level values are pressures in dB(A) measured at a distance of 3 metres in a free field.



Erp. (Energy Related Products)

Information on Directive 2009/125/EC can be downloaded from the SODECA website or the QuickFan selector programme.

Acoustic characteristics

The values given are obtained under laboratory conditions according to ISO 3744.

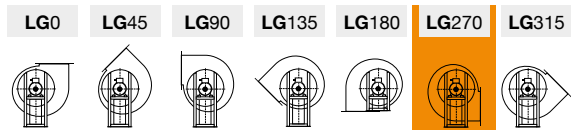
Sound power spectrum Lw(A) in dB(A) per Hz frequency band
Values measured at inlet with maximum flow rate

	63	125	250	500	1000	2000	4000	8000		63	125	250	500	1000	2000	4000	8000
CA-234-2T	38	51	65	72	80	79	73	64	CA-154-2T-3	49	62	76	83	91	89	83	75
CA-142-2T-0.33	39	52	66	73	81	80	74	65	CA-160-2T-3	55	68	82	89	97	95	89	81
CA-142-2T-0.5	39	52	66	73	81	80	74	65	CA-166-2T-4	56	69	83	90	98	96	90	82
CA-148-2T-0.75	43	56	70	77	85	83	77	69	CA-166-2T-5.5	57	70	84	91	99	97	91	83
CA-148-2T-1	44	57	71	78	86	84	78	70	CA-172-2T-7.5	60	73	87	94	102	101	95	86
CA-148-2T-1.5	45	58	72	79	87	85	79	71	CA-172-2T-10	61	74	88	95	103	102	96	87
CA-154-2T-2	48	61	75	82	90	88	82	74									

Orientations

LG 270 standard supply, other positions on request.

LG 180 positions on request and with special anchoring measurements.



Accessories



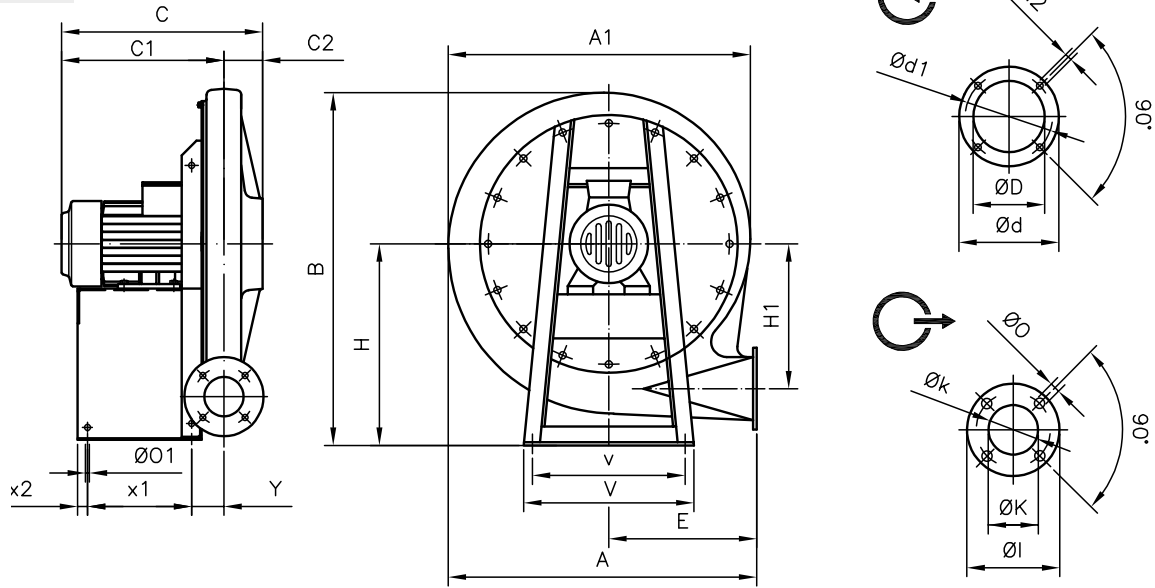
Dimensions mm

CA-234

	A	A1	B	C	C1	C2	øD	ød	ød1	ød2	E	H	H1	I	J	øK	k	øO	øO1	V	v	x1	Y
CA-234-2T	376	381	415	261	236.5	24.5	98	130	115	M4	175	225	187	98	63	40	78	9	9	180	120	40	94

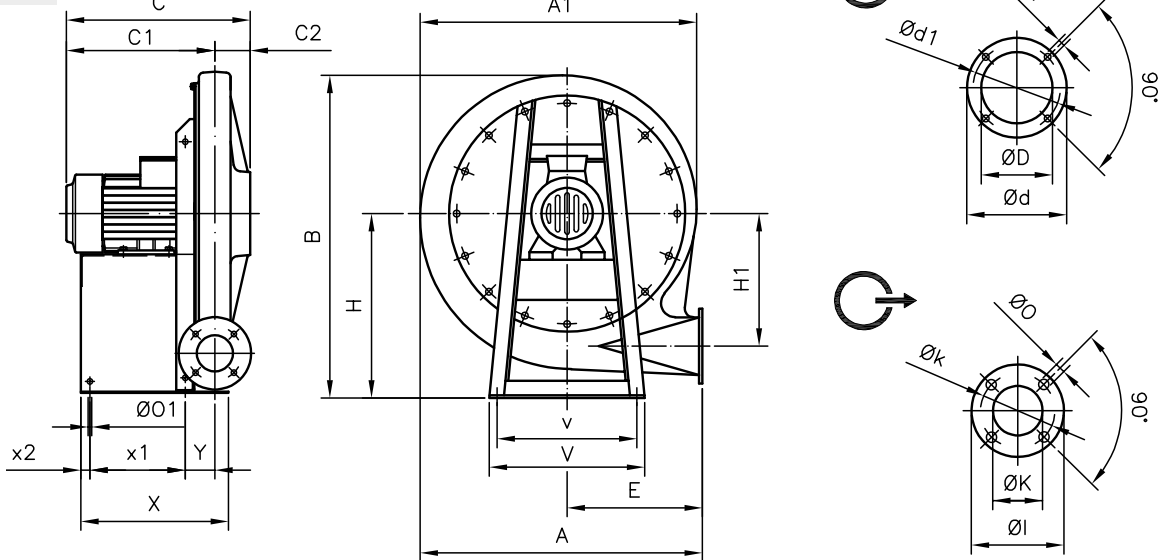
Dimensions mm

CA-142...148



	A	A1	B	C	C1	C2	øD	ød	ød1	ød2	E	H	H1	øI	øK	øk	øO	øO1	V	v	x1	x2	Y
CA-142-2T-0.33	494	488	540	261	215	46	90	160	130	M8	240	301	235	120	60	90	11	12	300	270	130	13	47.5
CA-142-2T-0.5	494	488	540	291	245	46	90	160	130	M8	240	301	235	120	60	90	11	12	300	270	130	13	47.5
CA-148-2T-0.75	563	557.5	639	308.5	251.5	57	100	170	140	M8	270	360	269.5	150	73	110	11	12	330	290	140	20	60
CA-148-2T-1	563	557.5	639	331	274	57	100	170	140	M8	270	360	269.5	150	73	110	11	12	330	290	140	20	60
CA-148-2T-1.5	563	557.5	639	331	274	57	100	170	140	M8	270	360	269.5	150	73	110	11	12	330	290	140	20	60

CA-154...172



	A	A1	B	C	C1	C2	øD	ød	ød1	ød2	E	H	H1	øI	øK	øk	øO	øO1	V	v	X	x1	x2	Y
CA-154-2T-2	630	625	708	405	327	78	115	182	155	M10	300	395	308	160	80	120	13	12	356	320	325	210	20	65
CA-154-2T-3	630	625	708	396	316.5	78	115	182	155	M10	300	395	308	160	80	120	13	12	356	320	325	210	20	65
CA-160-2T-3	708	699	785	406	316	90	130	230	192	M10	336	440	338	160	85	120	13	12	373	322	344	220	23	68.5
CA-166-2T-4	759	752	866	435	357.5	77.5	140	230	200	M10	364	490	372	160	85	120	13	12	450	400	370	245	23	67.5
CA-166-2T-5.5	759	752	866	458	380	77.5	140	230	200	M10	364	490	372	160	85	120	13	12	450	400	390	265	23	70.5
CA-172-2T-7.5	818	813	923	507	426	80	148	230	200	M10	390	516	404	175	90	140	13	12	450	400	435	300	25	78
CA-172-2T-10	818	813	923	507	426	80	148	230	200	M10	390	516	404	175	90	140	13	12	450	400	435	300	25	78

Characteristic curves

Q= Flow rate in m³/h, m³/s and cfm

Pe= Static pressure in mm H₂O, Pa and inWG

