

# CMAT

**Single-inlet, medium-pressure centrifugal fans with casing and straight blade impeller made of cast aluminum, for conveying powder and solid material**



**Fan:**

- Cast aluminium casing.
- Straight blade impeller in cast aluminium in models 324 to 531 and in sheet steel in models 540 to 545.

**Motor:**

- Motors with IE3 efficiency for powers equal to or greater than 0.75kW, except single-phase, 2-speed and 8-pole.
- Class F motors with ball bearings and IP55 protection.
- Three-phase 230/400 V 50 Hz.
- Maximum temperature of air to be carried: -20 °C +120 °C.

**Finishing:**

- Anti-corrosive finish in polyester resin, polymerised at 190 °C, after degreasing with phosphate-free nanotechnology treatment.

**On request:**

- Special windings for different voltages.
- Fan prepared to transport air up to +250 °C.
- ATEX certified Category 2.



Different options for impulsion positions

## Order code



CMAT: Single-inlet, medium-pressure centrifugal fans with casing and straight blade impeller made of cast aluminum, for conveying powder and solid material

Impeller size

Number of motor poles  
T=Three-phase  
2=2900 r/min 50 Hz

Motor power (HP)

## Technical characteristics

Model	Speed (r/min)	Maximum admissible current (A)		Installed power (kW)	Maximum flow rate (m³/h)	Sound pressure level dB(A)	Approx. weight (Kg)
		230V	400V				
CMAT-324-2T	2750	1.21	0.70	0.18	300	70	9
CMAT-325-2T	2710	1.29	0.75	0.25	450	73	11
CMAT-426-2T	2710	1.92	1.11	0.37	650	75	12
CMAT-527-2T	2710	1.92	1.11	0.37	900	80	13
CMAT-528-2T IE3	2825	2.80	1.62	0.75	1400	80	25
CMAT-531-2T IE3	2830	4.03	2.34	1.10	1800	84	25
CMAT-540-2T-2 IE3	2875	5.34	3.07	1.50	2080	80	42
CMAT-540-2T-3 IE3	2910	7.32	4.21	2.20	2800	82	46
CMAT-545-2T-4 IE3	2910	10.00	5.77	3.00	3115	80	60

## Acoustic characteristics

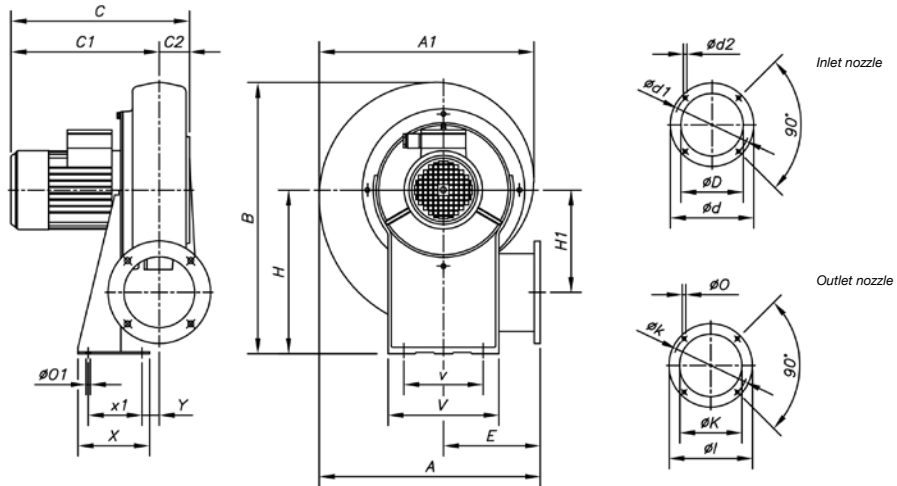
Sound power spectrum Lw(A) in dB(A) per Hz frequency band.

	63	125	250	500	1000	2000	4000	8000		63	125	250	500	1000	2000	4000	8000
324	42	48	72	79	76	69	60	52	531	51	67	90	92	89	83	77	69
325	47	54	76	80	80	75	65	56	540-2	55	76	91	86	87	83	76	68
426	42	54	78	85	77	71	63	58	540-3	57	81	89	88	92	89	83	75
527	47	61	84	90	82	75	67	61	545	62	81	87	86	87	89	82	74
528	49	64	89	85	84	79	72	65									

INDUSTRIAL FANS · GENERAL CATALOGUE ·

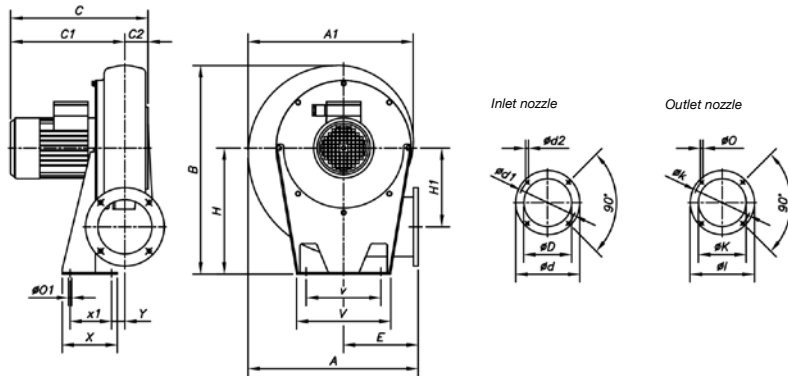
**Dimensions mm**

**CMAT-324...528**



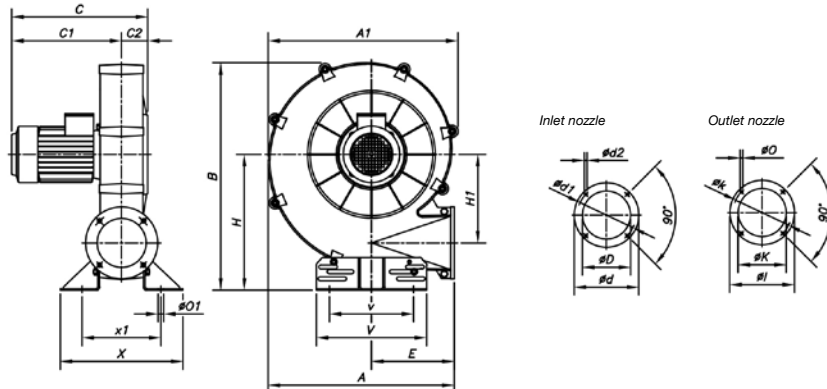
	A	A1	B	C	C1	C2	ØD	Ød	Ød1	Ød2	E	H	H1	Øl	ØK	Øk	ØO	ØO1	V	v	X	x1	Y
CMAT-324	311	302	356	264	226	38	80	130	112	M5	145	205	145	108	62	90	7	9	173	125	90	60	20
CMAT-325	335	328	399	284	244	40	94	140	122	M6	155	235	152	120	80	102	7	9	180	145	110	80	20
CMAT-426	354	344	412	290	250	40	117	155	132	M6	162	240	163	140	90	119	7	13	210	160	105	65	22
CMAT-527	371	361	440	295	253	42	125	170	147	M6	168	260	170	155	100	129	7	13	220	170	120	80	17
CMAT-528	401	395	485	337	289	48	135	190	162	M6	178	288	177	190	130	160	11	13	230	180	140	100	20

**CMAT-531**



	A	A1	B	C	C1	C2	ØD	Ød	Ød1	Ød2	E	H	H1	Øl	ØK	Øk	ØO	ØO1	V	v	X	x1	Y
CMAT-531	432	420	530	339	289	50	160	215	180	M6	189	320	200	200	140	175	11	13	226	190	160	120	19

**CMAT-540...545**

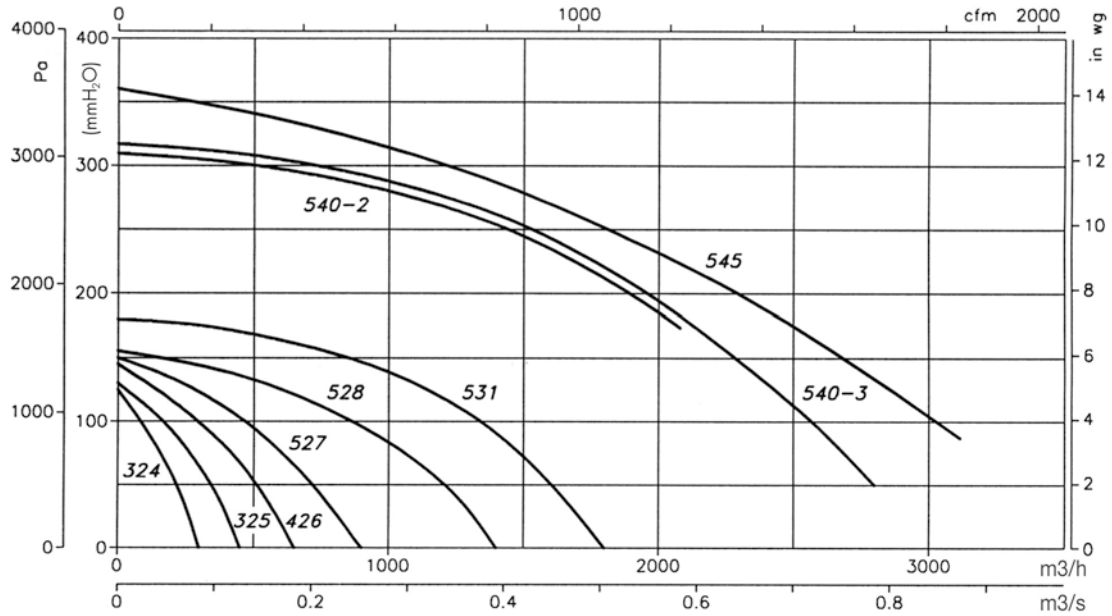


	A	A1	B	C	C1	C2	ØD	Ød	Ød1	Ød2	E	H	H1	Øl	ØK	Øk	ØO	ØO1	V	v	X	x1
CMAT-540	562	550	690	403	323	80	170	240	205	M10	252	415	270	220	150	190	13	11	336	218	376	242
CMAT-545	651	646	776	483	368	115	180	255	220	M10	290	450	309	250	175	220	13	13	336	238	392	292

### Characteristic curves

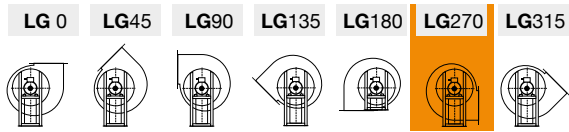
Q= Flow rate in m<sup>3</sup>/h, m<sup>3</sup>/s and cfm

Pe= Static pressure in mm H<sub>2</sub>O, Pa and inwg



### Orientations

Standard supply LG 270  
LG 180 position on request and with special anchoring measurements.



### Accessories

