

CMP

Single inlet medium pressure centrifugal fans with sheet steel casing and impeller



Fan:

- Sheet steel casing.
- Forward curved impeller in galvanized sheet steel.
- Model CMP 38-2M cast aluminum casing.
- Maximum temperature of air to be carried: -20 °C +120 °C, maximum +100 °C model CMP-38.

Finishing:

- Anti-corrosive finish in polyester resin, polymerised at 190 °C, after degreasing with phosphate-free nanotechnology treatment.

On request:

- Special windings for different voltages.
- Fan prepared to transport air up to +250 °C.
- Stainless steel fan.
- Category 2 ATEX certification (see CMP/ATEX series).

Motor:

- Motors with IE3 efficiency for powers equal to or greater than 0.75kW, except single-phase, 2-speed and 8-pole.
- Class F motors with ball bearings and IP55 protection except single-phase models with IP54 protection. CMP-38 model with IP21 protection.
- Single-phase 230V 50 Hz and three-phase 230/400V 50 Hz (up to 4 kW) and 400/690V 50 Hz (powers greater than 4 kW).



Dynamically balanced rotors with extremely robust cores

Order code

CMP — 1128 — 2T — 5,5

CMP: Single inlet medium pressure centrifugal fans with sheet steel casing and impeller

Impeller size

Number of motor poles
2=2900 r/min 50 Hz
4=1400 r/min 50 Hz
6=900 r/min 50 Hz

T=Three-phase
M=Single-phase

Motor power (HP)

Technical characteristics

Model	Speed (r/min)	Maximum admissible current (A)			Installed power (kW)	Maximum flow rate m³/h	Sound pressure level dB (A)	Approx. weight (Kg)	According ErP
		230V	400V	690V					
CMP-38-2M/E	2650	0.50			0.01	135	50	2	Excluded
CMP-38-2M	2600	0.50			0.01	160	50	2	Excluded
CMP-512-2T	2670	0.64	0.37		0.09	380	62	4	Excluded
CMP-512-2M	2760	0.79			0.09	380	62	4	Excluded
CMP-512-4T	1320	0.65	0.38		0.09	255	55	4	Excluded
CMP-512-4M	1370	0.83			0.09	255	55	4	Excluded
CMP-514-2T	2750	1.21	0.70		0.18	700	65	5	2015
CMP-514-2M	2780	1.42			0.18	700	65	5	2015
CMP-514-4T	1320	0.65	0.38		0.09	565	58	5	Excluded
CMP-514-4M	1370	0.83			0.09	565	58	5	Excluded
CMP-616-2T	2760	2.57	1.49		0.55	1380	69	8	2015
CMP-616-2M	2810	3.49			0.55	1380	69	10	2015
CMP-616-4T	1320	0.65	0.38		0.09	850	61	8	Excluded
CMP-616-4M	1370	0.83			0.09	850	61	8	Excluded
CMP-620-2T	2710	1.92	1.11		0.37	765	68	10	2015
CMP-620-2M	2780	2.53			0.37	765	68	10	2015
CMP-620-4T	1320	0.96	0.56		0.12	810	61	8	Excluded

SMALL SERIES

Technical characteristics

Model	Speed	Maximum admissible current (A)			Installed power	Maximum flow rate	Sound pressure level	Approx. weight	According ErP
	(r/min)	230V	400V	690V	(kW)	m³/h	dB (A)	(Kg)	
CMP-620-4M	1380	1.03			0.12	810	61	8	Excluded
CMP-718-2T IE3	2825	2.80	1.62		0.75	1485	70	18	2015
CMP-718-2M	2810	4.50			0.75	1485	70	13	2015
CMP-718-4T	1350	1.66	0.96		0.25	1280	63	10	2015
CMP-718-4M	1370	2.00			0.25	1280	63	10	2015
CMP-820-2T IE3	2830	4.03	2.34		1.10	1950	73	16	2015
CMP-820-2M	2820	6.51			1.10	1950	73	16	2015
CMP-820-4T	1350	1.66	0.96		0.25	1670	66	10	2015
CMP-820-4M	1370	2.00			0.25	1670	66	10	2015
CMP-922-2T-1.5 IE3	2830	4.03	2.34		1.10	1650	70	21	2015
CMP-922-2T-2 IE3	2875	5.34	3.07		1.50	2010	71	27	2015
CMP-922-2T-3 IE3	2910	7.32	4.21		2.20	2600	74	30	2015
CMP-922-4T	1380	2.92	1.69		0.55	2450	66	19	2015
CMP-1025-2T-3 IE3	2910	7.32	4.21		2.20	2100	73	33	2015
CMP-1025-2T-4 IE3	2910	10.00	5.77		3.00	2830	77	41	2015
CMP-1025-4T IE3	1455	4.07	2.34		1.10	3400	70	43	2015
CMP-1128-2T-4 IE3	2910	10.00	5.77		3.00	2220	77	45	2015
CMP-1128-2T-5.5 IE3	2900	13.00	7.50		4.00	3210	81	56	2015
CMP-1128-4T IE3	1435	7.93	4.56		2.20	5000	74	40	2015
CMP-1128-6T IE3	940	3.36	1.93		0.75	3300	60	32	2015
CMP-1231-4T-3 IE3	1435	7.93	4.56		2.20	4740	73	48	2015
CMP-1231-4T-4 IE3	1440	10.70	6.15		3.00	5910	75	54	2015
CMP-1231-4T-5.5 IE3	1450	13.90	8.00		4.00	6850	77	58	2015
CMP-1231-6T IE3	950	6.43	3.70		1.50	5115	64	53	2015
CMP-1435-4T-4 IE3	1440	10.70	6.15		3.00	5560	76	58	2015
CMP-1435-4T-5.5 IE3	1450	13.90	8.00		4.00	6260	78	64	2015
CMP-1435-4T-7.5 IE3	1465		10.30	5.97	5.50	7210	80	99	2015
CMP-1640-4T-5.5 IE3	1450	13.90	8.00		4.00	7000	77	81	2015
CMP-1640-4T-7.5 IE3	1465		10.30	5.97	5.50	8035	80	116	2015
CMP-1640-4T-10 IE3	1465		13.90	8.06	7.50	9710	82	120	2015
CMP-1640-6T IE3	950	9.08	5.22		2.20	8100	71	80	2015
CMP-1845-4T-7.5 IE3	1465		10.30	5.97	5.50	8000	82	117	2015
CMP-1845-4T-10 IE3	1465		13.90	8.06	7.50	10000	85	121	2015
CMP-1845-6T IE3	950	9.08	5.22		2.20	7500	77	88	2015
CMP-2050-4T-10 IE3	1465		13.90	8.06	7.50	9000	83	150	2015
CMP-2050-4T-15 IE3	1470		20.90	12.10	11.00	12525	87	178	2015
CMP-2050-4T-20 IE3	1465		27.90	16.20	15.00	16500	89	189	2015
CMP-2050-6T IE3	960	15.60	8.99		4.00	11000	79	144	2015



Erp. (Energy Related Products)

Information on Directive 2009/125/EC can be downloaded from the SODECA website or the QuickFan selector programme.

Acoustic characteristics

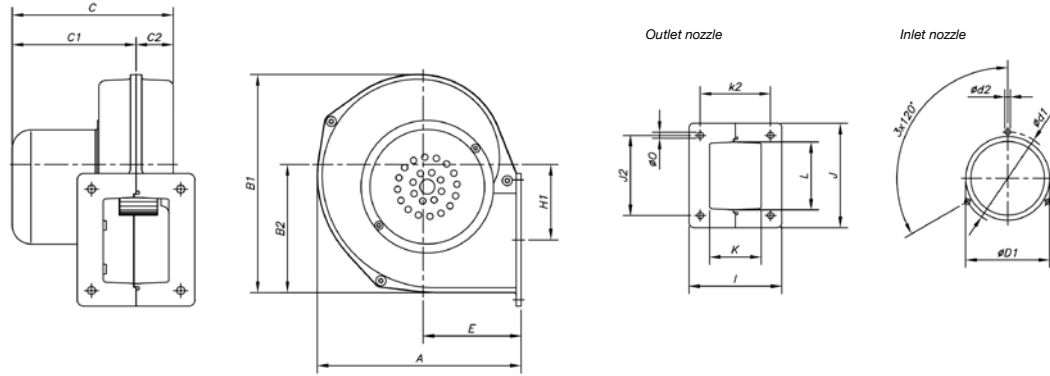
Sound power spectrum Lw(A) in dB(A) per Hz frequency band																	
Model	63	125	250	500	1000	2000	4000	8000	Model	63	125	250	500	1000	2000	4000	8000
38	25	35	46	53	57	54	52	45	1128-2-5.5	56	66	77	84	88	85	83	76
512-2	37	47	58	65	69	66	64	57	1128-4	49	59	70	77	81	78	76	69
512-4	30	40	51	58	62	59	57	50	1128-6	35	45	56	63	67	64	62	55
514-2	40	50	61	68	72	69	67	60	1231-4-3	51	60	71	78	82	80	78	71
514-4	33	43	54	61	65	62	60	53	1231-4-4	53	62	73	80	84	82	80	73
616-2	44	54	65	72	76	73	71	64	1231-4-5.5	55	64	75	82	86	84	82	75
616-4	36	46	57	64	68	65	63	56	1231-6	42	51	62	69	73	71	69	62
620-2	43	53	64	71	75	72	70	63	1435-4-4	54	63	74	81	85	83	81	74
620-4	36	46	57	64	68	65	63	56	1435-4-5.5	56	65	76	83	87	85	83	76
718-2	45	55	66	73	77	74	72	65	1435-4-7.5	58	67	78	85	89	87	85	78
718-4	38	48	59	66	70	67	65	58	1640-4-5.5	55	64	75	82	86	84	82	75
820-2	48	58	69	76	80	77	75	68	1640-4-7.5	58	67	78	85	89	87	85	78
820-4	41	51	62	69	73	70	68	61	1640-4-10	60	69	80	87	91	89	87	80
922-2-1.5	45	55	66	73	77	74	72	65	1640-6	49	58	69	76	80	78	76	69
922-2-2	46	56	67	74	78	75	73	66	1845-4-7.5	61	71	82	89	93	91	89	81
922-2-3	49	59	70	77	81	78	76	69	1845-4-10	64	74	85	92	96	94	92	84
922-4	41	51	62	69	73	70	68	61	1845-6	56	66	77	84	88	86	84	76
1025-2-3	48	58	69	76	80	77	75	68	2050-4-10	62	72	83	90	94	92	90	82
1025-2-4	52	62	73	80	84	81	79	72	2050-4-15	66	76	87	94	98	96	94	86
1025-4	45	55	66	73	77	74	72	65	2050-4-20	68	78	89	96	100	98	96	88
1128-2-4	52	62	73	80	84	81	79	72	2050-6	58	68	79	86	90	88	86	78

SMALL SERIES

INDUSTRIAL FANS · GENERAL CATALOGUE ·

Dimensions mm

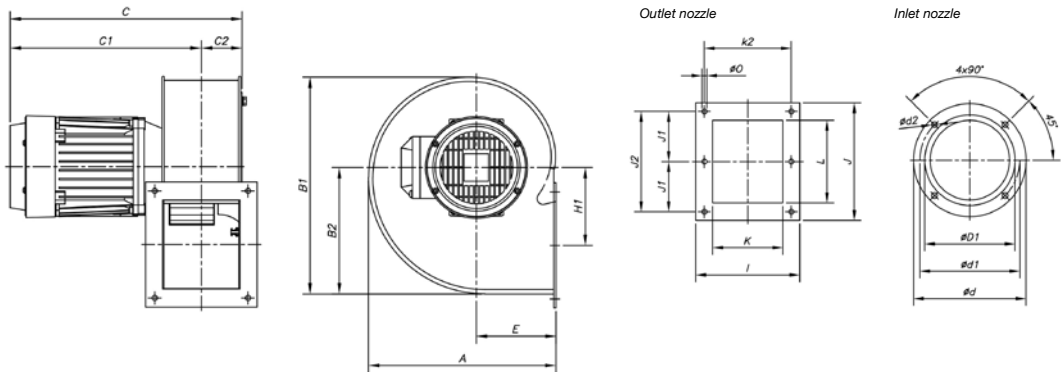
CMP-38



	A	B1	B2	C	C1	C2	øD1*	ød1	ød2	E	H1	I	J	J2	K	k2	L	øO
CMP-38-2M/E	141	165	97	122	96	26	80	85	2.4	60	60.5	100	80	46	50	77	52	8
CMP-38-2M	164.5	176.5	103.5	130	100	30	60	85	M4	79	61	95	107	82	53	72	69	6.5

* Recommended nominal tube diameter

CMP-512...820



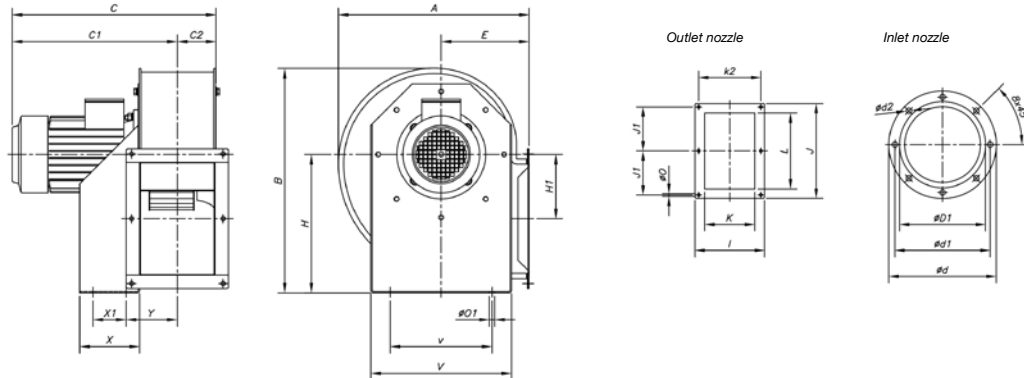
	A	B1	B2	C	C1	C2	øD1*	ød	ød1	ød2	E	H1	I	J	J1	J2	K	k2	L	øO
CMP-512-2T	185	206.5	118	251	212	39	112	140	132	M4	81	69	106	118	-	104.5	75	93	86	5.5
CMP-512-4T	185	206.5	118	249	210	39	112	140	132	M4	81	69	106	118	-	104.5	75	93	86	5.5
CMP-514-2T	225	254	150	281	236	45	140	169	151.5	M4	100	91	122	147	64	128	83	105	107	6.5
CMP-514-4T	225	254	150	261	216	45	140	169	151.5	M4	100	91	122	147	64	128	83	105	107	6.5
CMP-616-2T	258	297	173.5	320	264	56	160	204	180	M6	110	105.5	153	172	-	147	103	128	122	7
CMP-616-4T	258	297	173.5	283	227	56	160	204	180	M6	110	105.5	153	172	-	147	103	128	122	7
CMP-620-2T	298	347	202.5	321	265	56	200	247	230	M6	126	145.5	159	153	-	128	105	134	100	8
CMP-620-4T	298	347	202.5	283	227	56	200	247	230	M6	126	145.5	159	153	-	128	105	134	100	8
CMP-718-2T	303.5	348	201	355	294	61	180	238	210	M6	129.5	122	169	192	85	170	115	145	146	9
CMP-718-2M	303.5	348	201	355	245	61	180	238	210	M6	129.5	122	169	192	85	170	115	145	146	9
CMP-718-4T	303.5	348	201	331	270	61	180	238	210	M6	129.5	122	169	192	85	170	115	145	146	9
CMP-718-4M	303.5	348	201	331	270	61	180	238	210	M6	129.5	122	169	192	85	170	115	145	146	9
CMP-820-2T	322	377	223	369.5	301	68.5	200	247	230	M6	137.5	137	184	213	94.5	189	130	160	156	9
CMP-820-2M	322	377	223	369.5	301	68.5	200	247	230	M6	137.5	137	184	213	94.5	189	130	160	156	9
CMP-820-4T	322	377	223	345.5	277	68.5	200	247	230	M6	137.5	137	184	213	94.5	189	130	160	156	9
CMP-820-4M	322	377	223	345.5	277	68.5	200	247	230	M6	137.5	137	184	213	94.5	189	130	160	156	9

* Recommended nominal tube diameter

SMALL SERIES

Dimensions mm

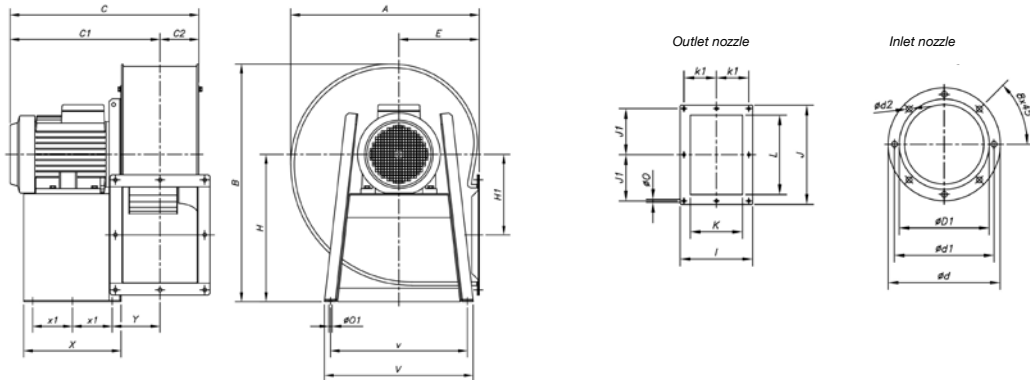
CMP-922...1231



	A	B	C	C1	C2	øD1*	ød	ød1	ød2	E	H	H1	I	J	J1	K	k2	L	øO	øO1	V	v	X	X1	Y
CMP-922-2T-1.5	388.5	455	382.5	309	73.5	224	278	256	M8	180	280	134	204	282.5	128	140	180	215	9.5	10.5	290	220	114	50	105
CMP-922-2T-2	388.5	455	430.5	357	73.5	224	278	256	M8	180	280	134	204	282.5	128	140	180	215	9.5	10.5	290	220	114	50	105
CMP-922-2T-3	388.5	455	430.5	357	73.5	224	278	256	M8	180	280	134	204	282.5	128	140	180	215	9.5	10.5	290	220	114	50	105
CMP-922-4T	388.5	455	382.5	309	73.5	224	278	256	M8	180	280	134	204	282.5	128	140	180	215	9.5	10.5	290	220	114	50	105
CMP-1025-2T-3	427	503	456	370	86	250	305	282	M8	197	310	144	229	312.5	145	165	205	250	9.5	12.5	315	228	134	74	115.5
CMP-1025-2T-4	427	503	486	400	86	250	305	282	M8	197	310	144	229	312.5	145	165	205	250	9.5	12.5	315	228	134	74	115.5
CMP-1025-4T	427	503	456	370	86	250	305	282	M8	197	310	144	229	312.5	145	165	205	250	9.5	12.5	315	228	134	74	115.5
CMP-1128-2T-4	472	553	500.5	407	93.5	280	348	320	M8	216	340	152	244	364	170	180	220	296.5	9.5	12.5	348	245	144	95	122.5
CMP-1128-2T-5.5	472	553	523.5	430	93.5	280	348	320	M8	216	340	152	244	364	170	180	220	296.5	9.5	12.5	348	245	144	95	122.5
CMP-1128-4T	472	553	500.5	407	93.5	280	348	320	M8	216	340	152	244	364	170	180	220	296.5	9.5	12.5	348	245	144	95	122.5
CMP-1128-6T	472	553	470.5	377	93.5	280	348	320	M8	216	340	152	244	364	170	180	220	296.5	9.5	12.5	348	245	144	95	122.5
CMP-1231-4T-3	526	630	520.5	417	103.5	315	382	354	M8	238	390	179.5	264	382.5	180	200	240	320	11.5	13	382	322	183	140	126
CMP-1231-4T-4	526	630	520.5	417	103.5	315	382	354	M8	238	390	179.5	264	382.5	180	200	240	320	11.5	13	382	322	183	140	126
CMP-1231-4T-5.5	526	630	543.5	440	103.5	315	382	354	M8	238	390	179.5	264	382.5	180	200	240	320	11.5	13	382	322	183	140	126
CMP-1231-6T	526	630	520.5	417	103.5	315	382	354	M8	238	390	179.5	264	382.5	180	200	240	320	11.5	13	382	322	183	140	126

* Recommended nominal tube diameter

CMP-1435...2563



	A	B	C	C1	C2	øD1*	ød	ød1	ød2	E	H	H1	I	J	J1	K	k1	L	øO	øO1	V	v	X	X1	Y
CMP-1435-4T-4	573.5	715	549	431	118	355	422	394	M8	250	445	242.5	292	342.5	159	228	133	280	11.5	12	456	420	333	136.5	150
CMP-1435-4T-5.5	573.5	715	572	454	118	355	422	394	M8	250	445	242.5	292	342.5	159	228	133	280	11.5	12	456	420	333	136.5	150
CMP-1435-4T-7.5	573.5	715	610	492	118	355	422	394	M8	250	445	242.5	292	342.5	159	228	133	280	11.5	12	456	420	333	136.5	150
CMP-1640-4T-5.5	634	799	596	465	130	400	464	438	M8	270	495	271	336	404	185	250	150	321	11.5	12	500	460	327	133.5	162.5
CMP-1640-4T-7.5	634	799	634	504	130	400	464	438	M8	270	495	271	336	404	185	250	150	321	11.5	12	500	460	327	133.5	162.5
CMP-1640-4T-10	634	799	634	504	130	400	464	438	M8	270	495	271	336	404	185	250	150	321	11.5	12	500	460	327	133.5	162.5
CMP-1640-6T	634	799	596	466	130	400	464	438	M8	270	495	271	336	404	185	250	150	321	11.5	12	500	460	327	133.5	162.5
CMP-1845-4T-7.5	711	901	668	521	147	450	515	485	M8	302	560	305	370	444	202	284	164	361	11.5	12	538	502	340	140	179.5
CMP-1845-4T-10	711	901	668	521	147	450	515	485	M8	302	560	305	370	444	202	284	164	361	11.5	12	538	502	340	140	179.5
CMP-1845-6T	711	901	630	483	147	450	515	485	M8	302	560	305	370	444	202	284	164	361	11.5	12	538	502	340	140	179.5
CMP-2050-4T-10	797	987	700.5	538	162.5	500	565	535	M10	345	610	313	411	544	250	315	182.5	451	11.5	12	653	615	435	188	196
CMP-2050-4T-15	797	987	805.5	643	162.5	500	565	535	M10	345	610	313	411	544	250	315	182.5	451	11.5	12	653	615	435	188	196
CMP-2050-4T-20	797	987	805.5	643	162.5	500	565	535	M10	345	610	313	411	544	250	315	182.5	451	11.5	12	653	615	435	188	196
CMP-2050-6T	797	987	700.5	538	162.5	500	565	535	M10	345	610	313	411	544	250	315	182.5	451	11.5	12	653	615	435	188	196

* Recommended nominal tube diameter

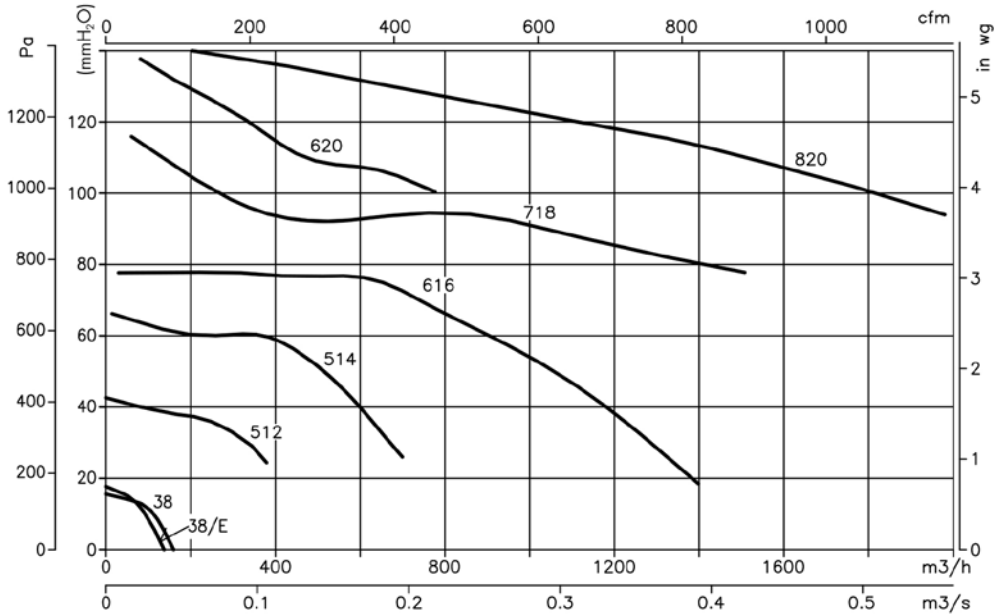
INDUSTRIAL FANS · GENERAL CATALOGUE ·

Characteristic curves

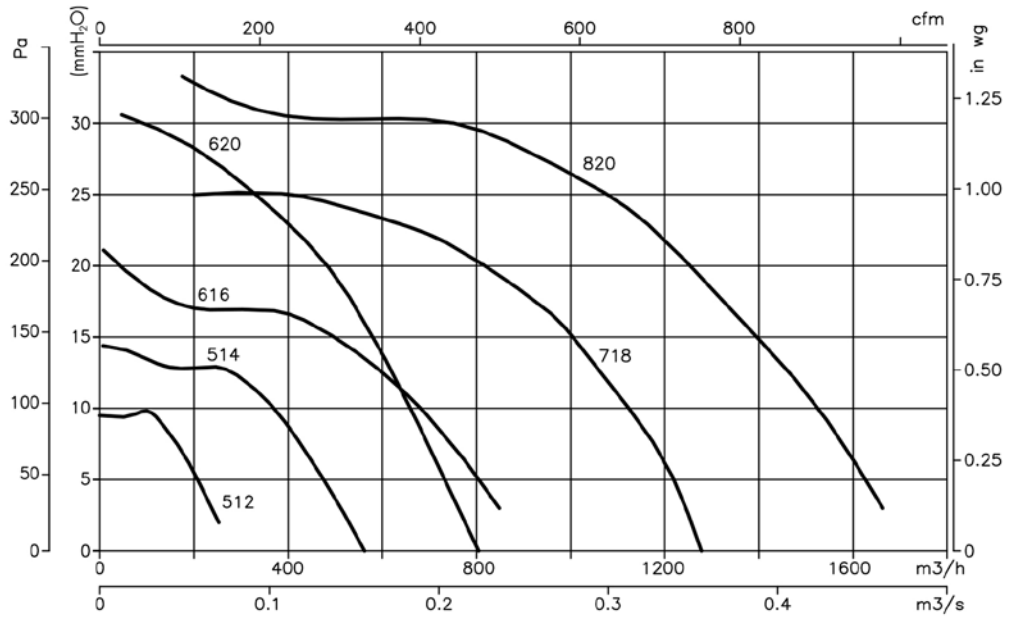
Q= Flow rate in m³/h, m³/s and cfm

Pe= Static pressure in mm H₂O, Pa and inwg

2T/2M=3000 r/min



4T/4M=1500 r/min



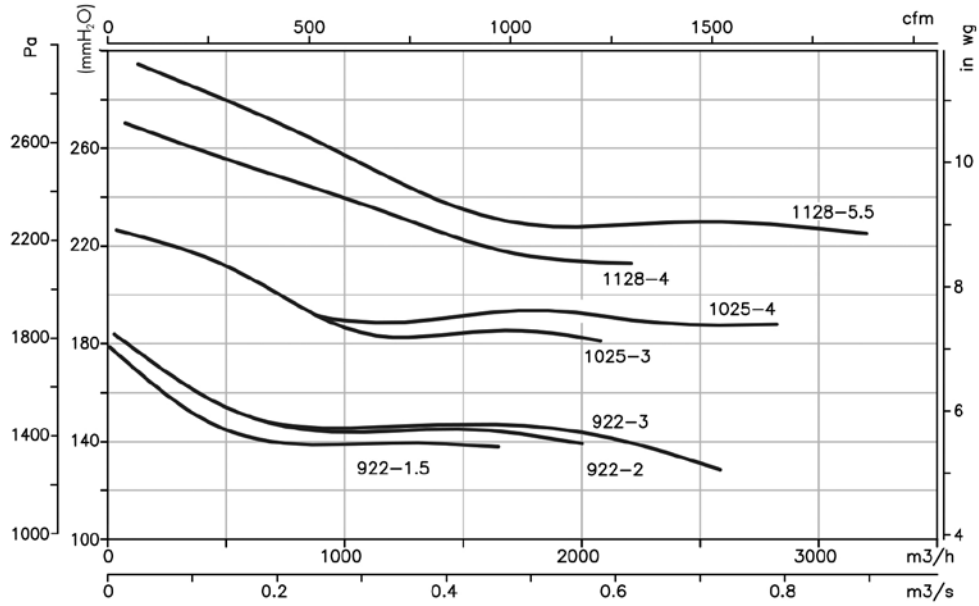
SMALL SERIES

Characteristic curves

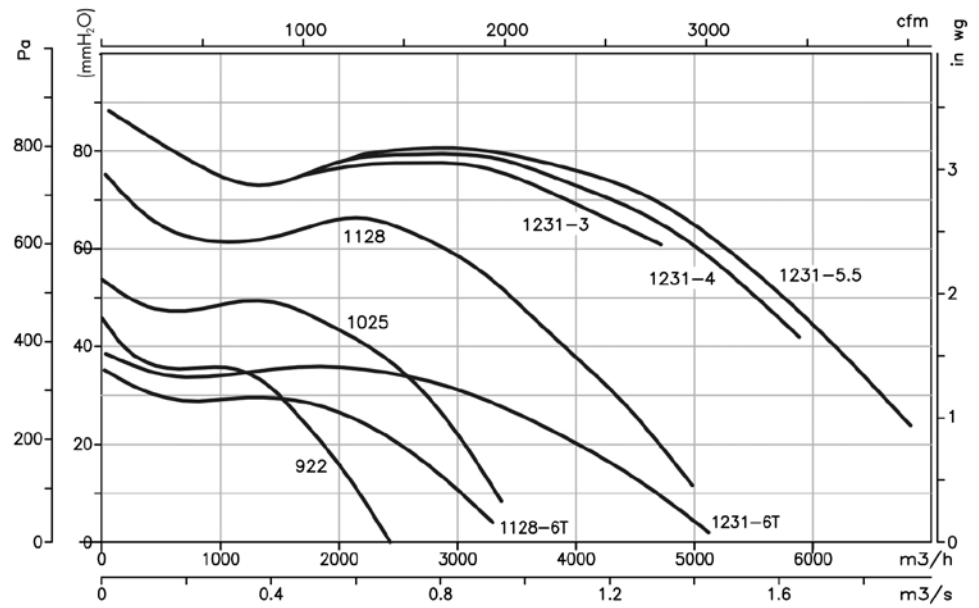
Q= Flow rate in m³/h, m³/s and cfm

Pe= Static pressure in mm H₂O, Pa and inwg

2T=3000 r/min



**4T=1500 r/min
6T=1000 r/min**



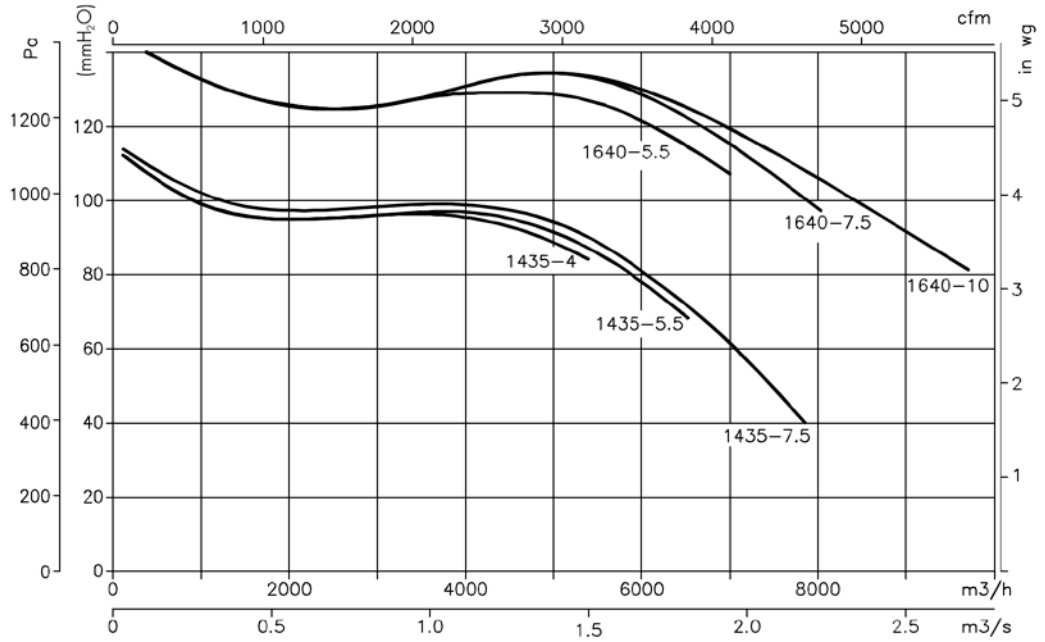
INDUSTRIAL FANS · GENERAL CATALOGUE ·

Characteristic curves

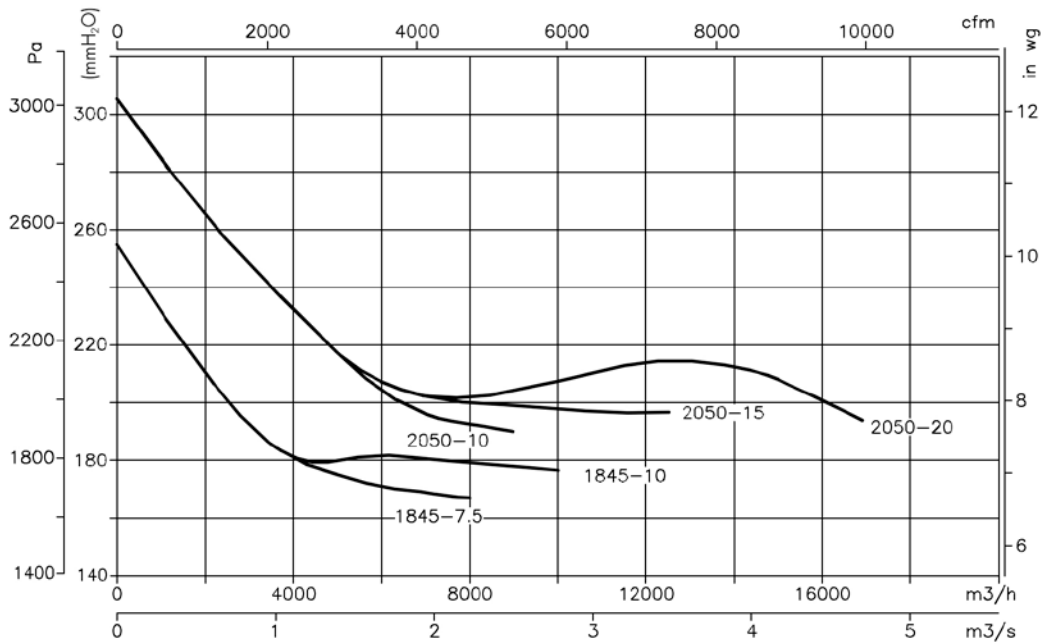
Q= Flow rate in m³/h, m³/s and cfm

Pe= Static pressure in mm H₂O, Pa and inwg

4T=1500 r/min



4T=1500 r/min



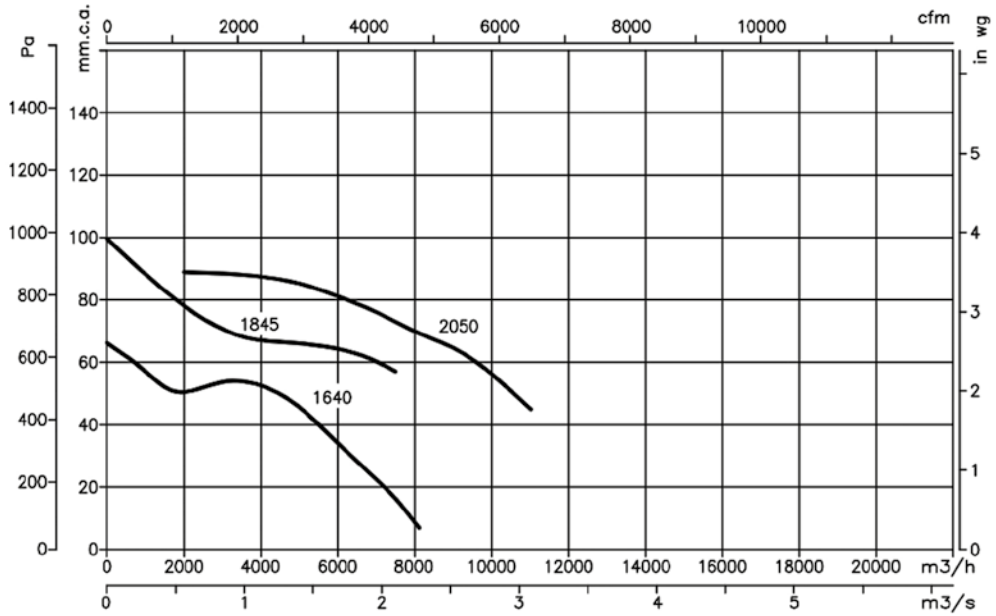
SMALL SERIES

Characteristic curves

Q= Flow rate in m³/h, m³/s and cfm

Pe= Static pressure in mm H₂O, Pa and inwg

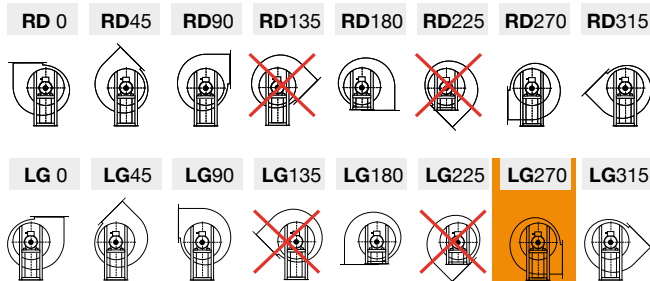
6T=1000 r/min



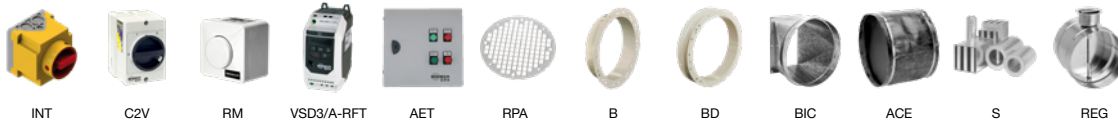
Orientations

Standard supply LG 270

Positions LG 180 and RD 180 on request with special anchoring measurements.



Accessories



SMALL SERIES